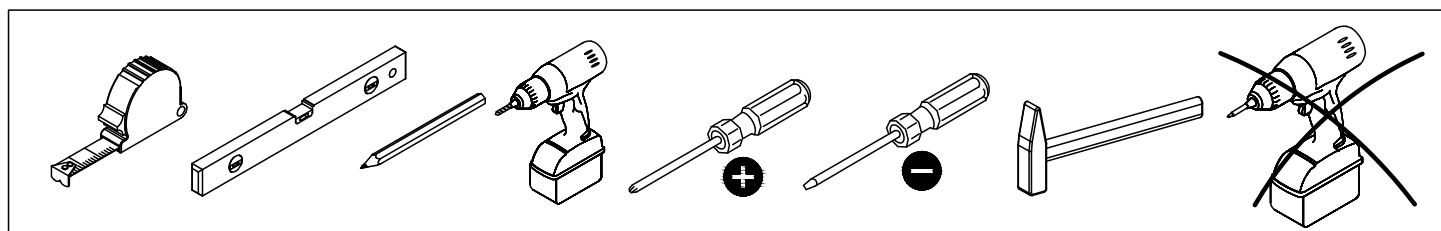
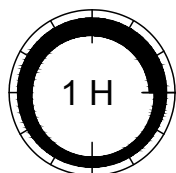
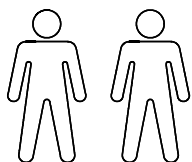
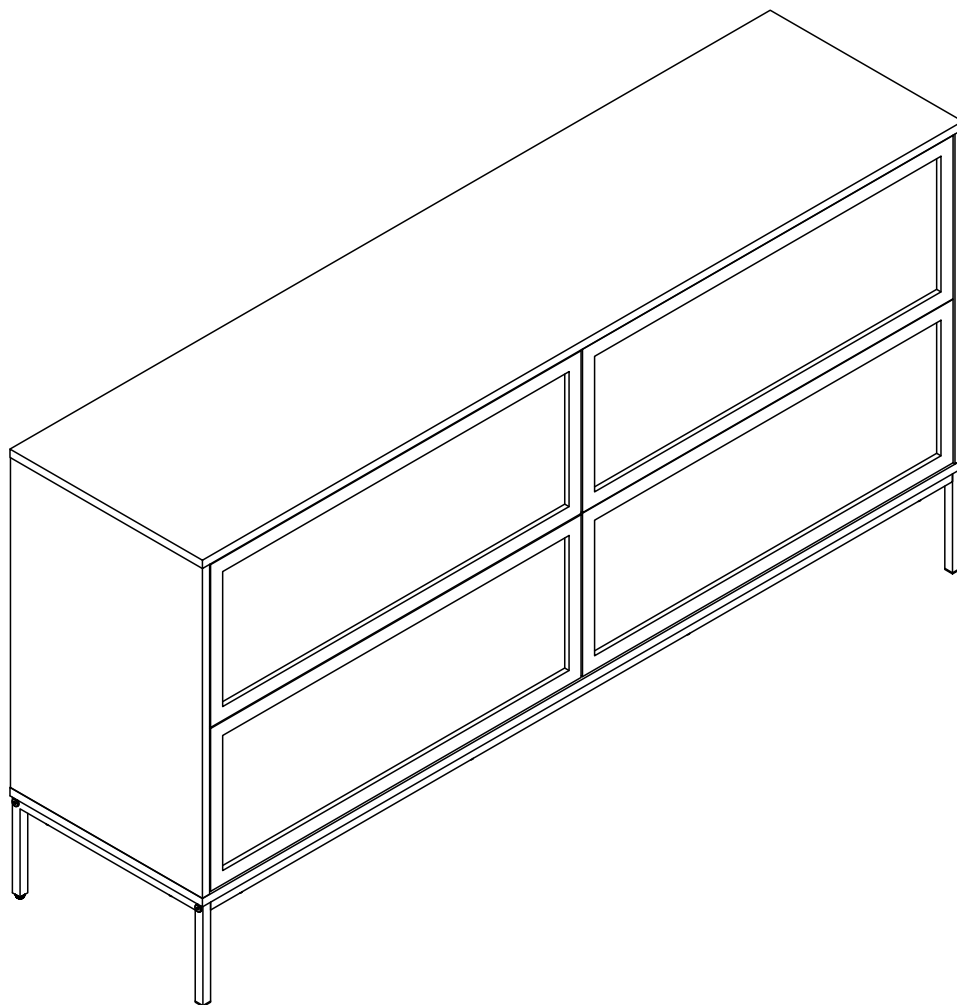
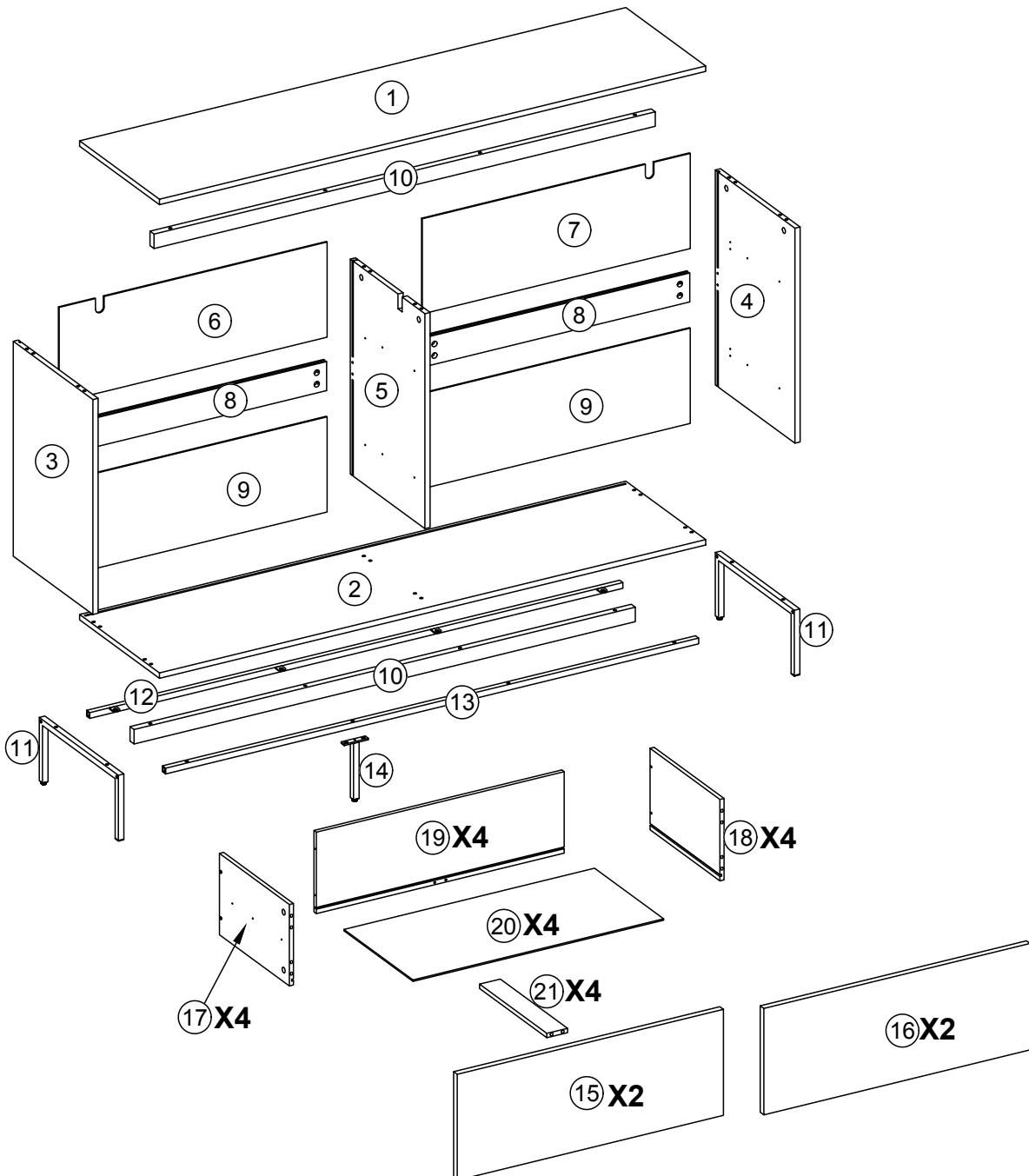


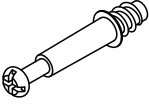
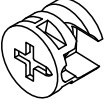
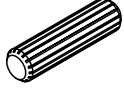


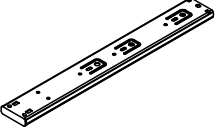

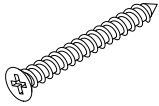
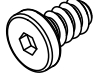
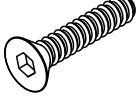
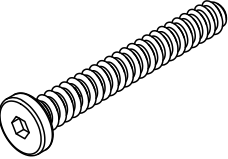
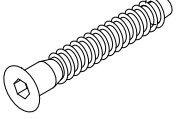
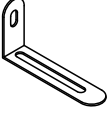
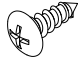

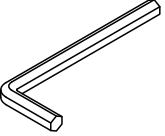
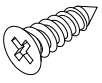
PALMDALE



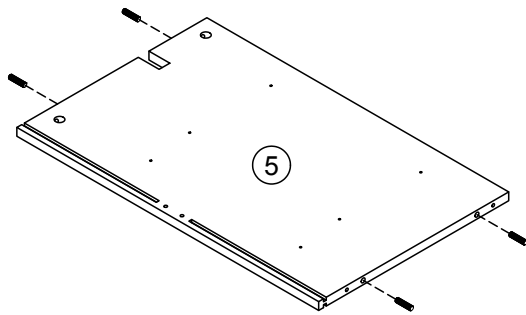
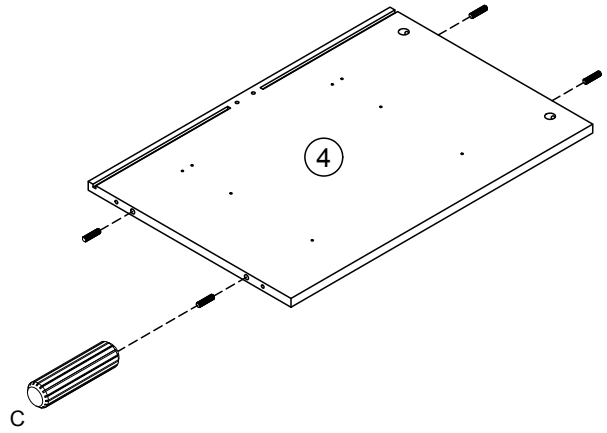
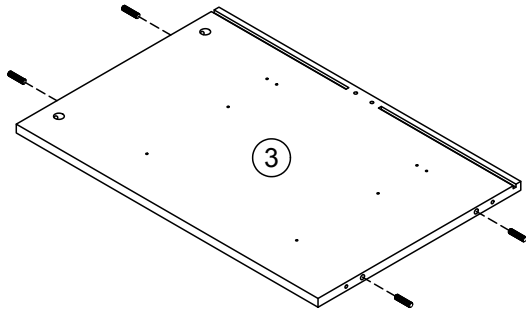
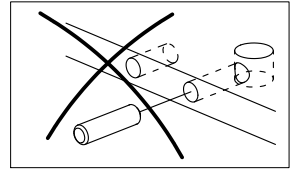
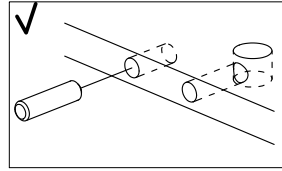
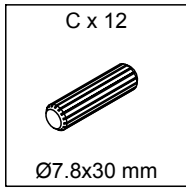
			✓
①	1	1580x400x15	
②	1	1580x400x15	
③	1	594x399x15	
④	1	594x399x15	
⑤	1	594x374x15	
⑥	1	775x265x4	
⑦	1	775x265x4	
⑧	2	767x80x15	
⑨	2	775x265x4	
⑩	2	1454x40x20	
⑪	2	396x182x16	

			✓
⑫	1	1542x41x16	
⑬	1	1542x16x16	
⑭	1	141x70x16	
⑮	2	770x293x18	
⑯	2	770x293x18	
⑰	4	350x225x12	
⑱	4	350x225x12	
⑲	4	717x225x12	
⑳	4	725x346x4	
㉑	4	337x60x12	

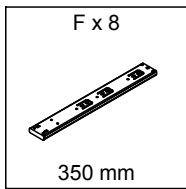


<p>A x 38</p>  <p>Ø6x35 mm</p>	<p>B x 14</p>  <p>Ø15x12 mm</p>	<p>C x 28</p>  <p>Ø7.8x30 mm</p>	<p>D x 24</p>  <p>Ø15x9 mm</p>	<p>E x 52</p>  <p>Ø3.5x12 mm</p>
<p>F x 8</p>  <p>350 mm</p>	<p>G x 16</p>  <p>Ø20 mm</p>	<p>H x 24</p>  <p>Ø3.5x35 mm</p>	<p>J x 6</p>  <p>M6x12 mm</p>	<p>K x 12</p>  <p>M6x28 mm</p>
<p>L x 8</p>  <p>M6x50 mm</p>	<p>M x 6</p>  <p>Ø7x48 mm</p>	<p>N x 2</p>  <p>75x25x15 mm</p>	<p>P x 4</p>  <p>Ø4x14 mm</p>	<p>Q x 16</p>  <p>15x14x10 mm</p>
<p>R x 1</p>  <p>4 mm</p>	<p>S x 16</p>  <p>Ø3.5x14 mm</p>			

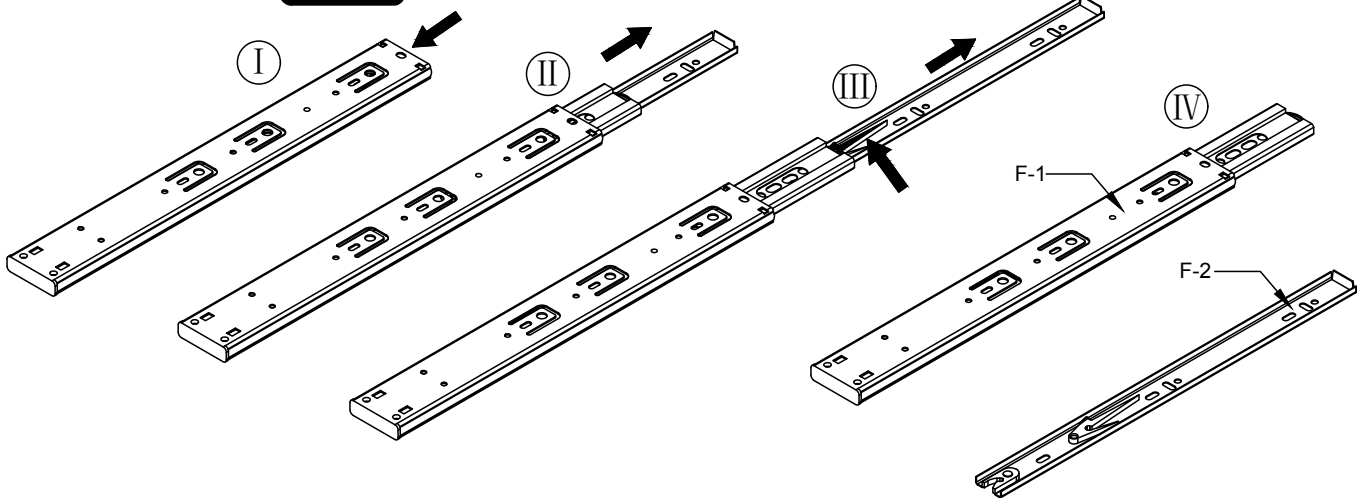
1




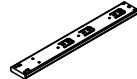
2

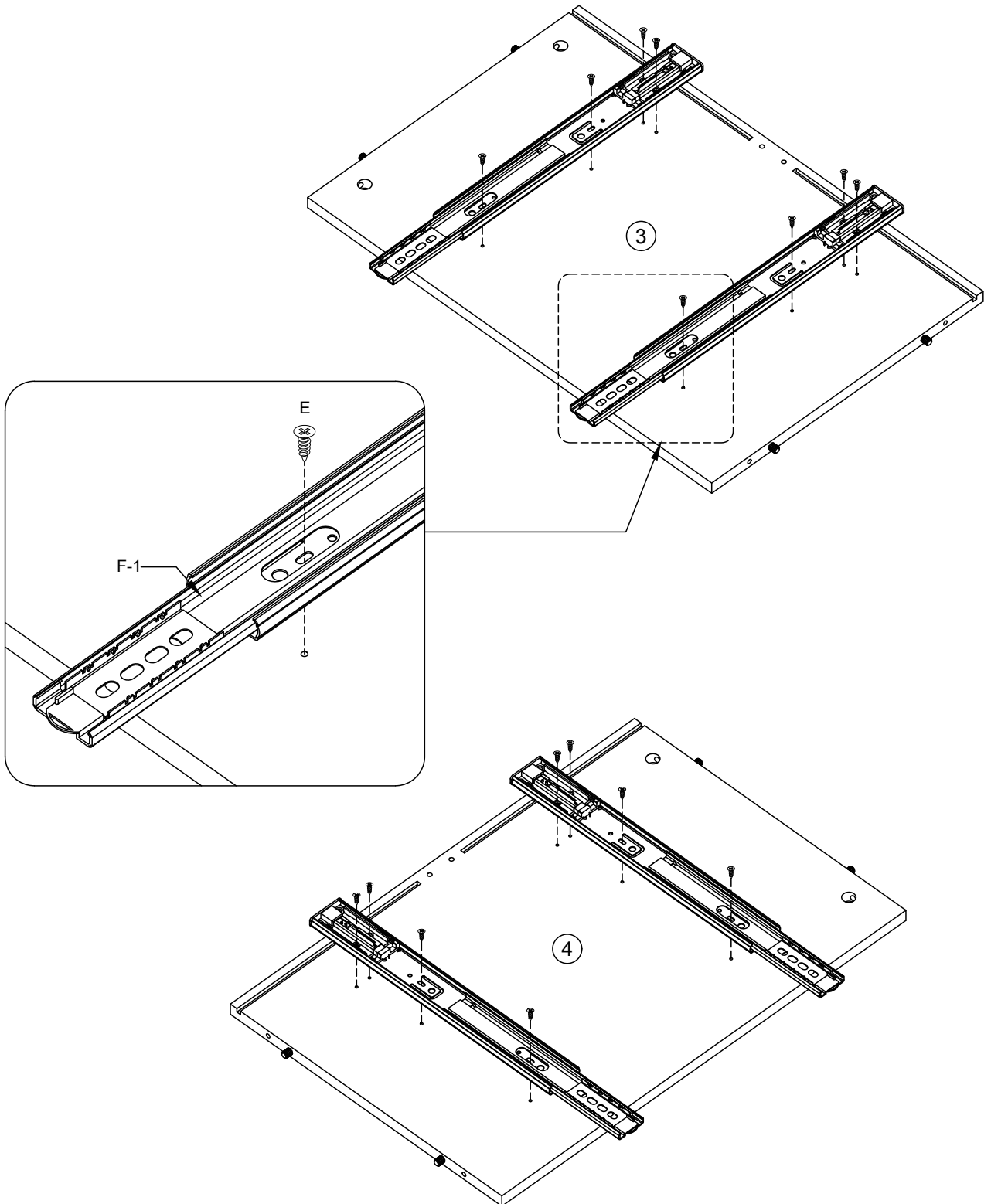
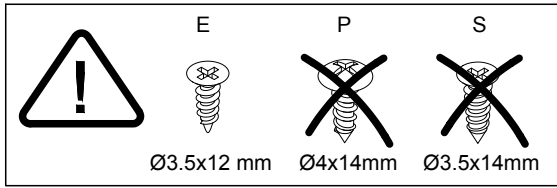
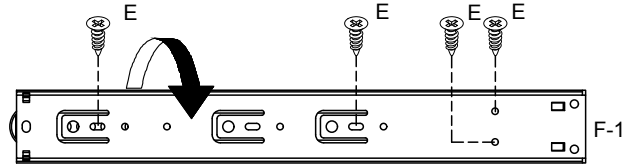
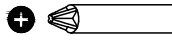


$F = F1 + F2$

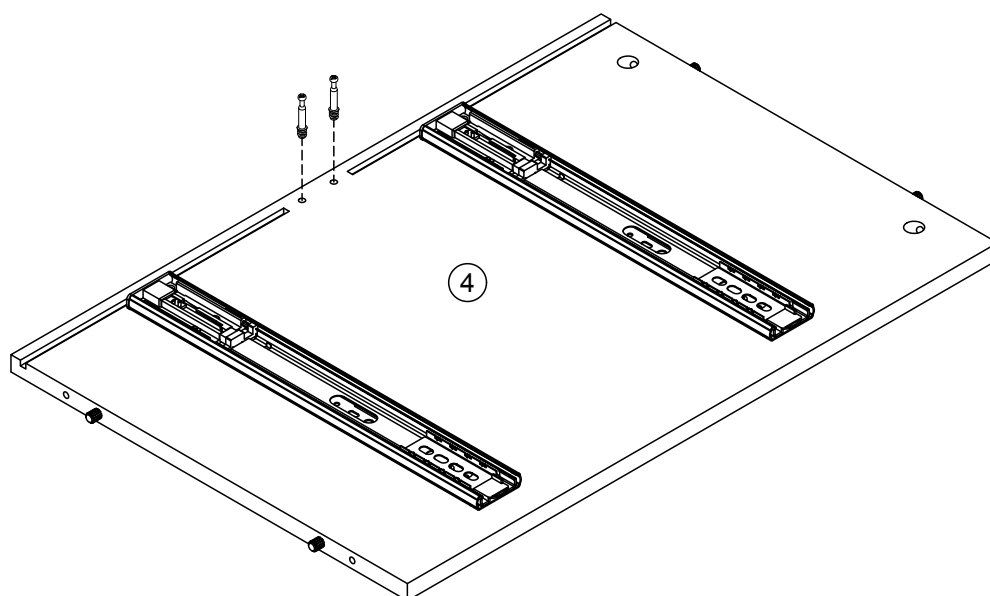
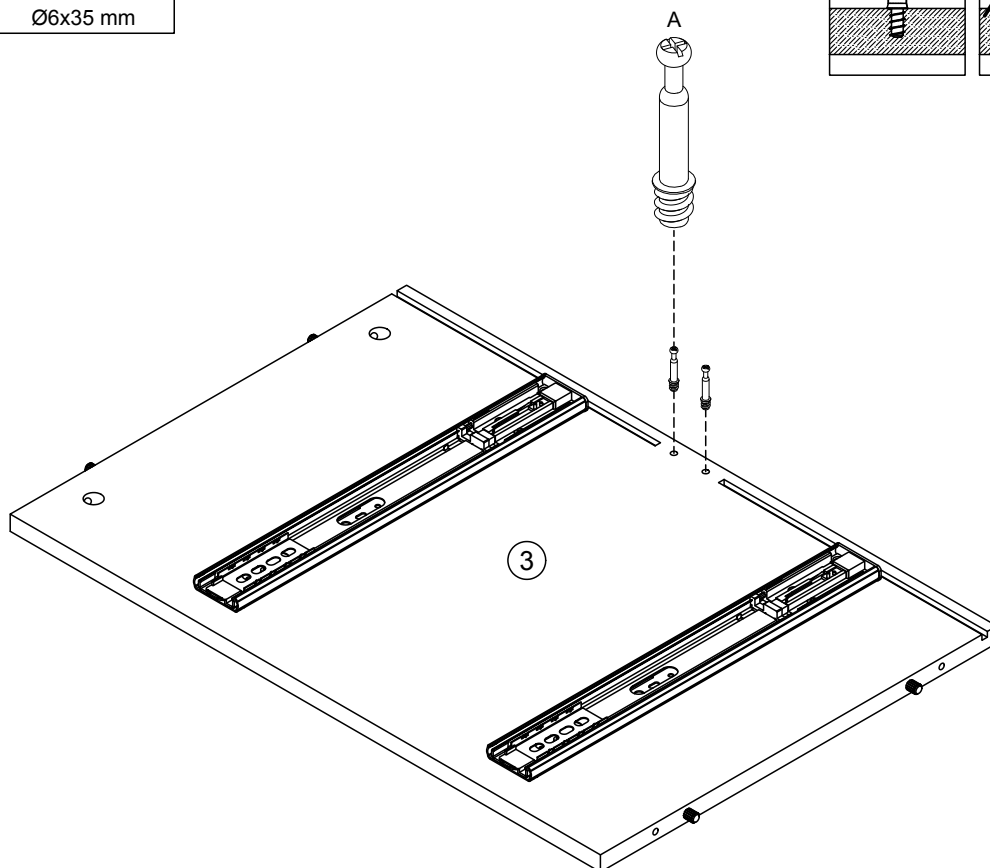
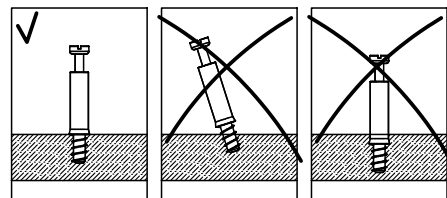
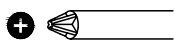
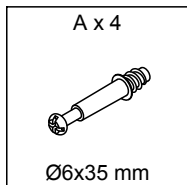


3


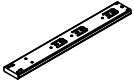
E x 16  Ø3.5x12 mm	F-1 x 4  350 mm
---	--

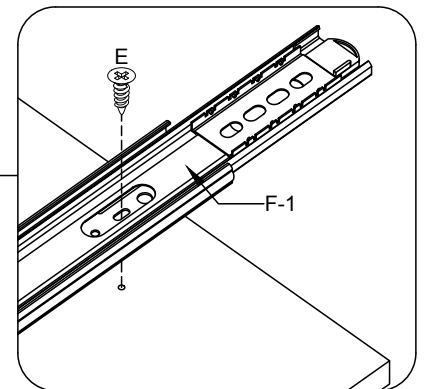
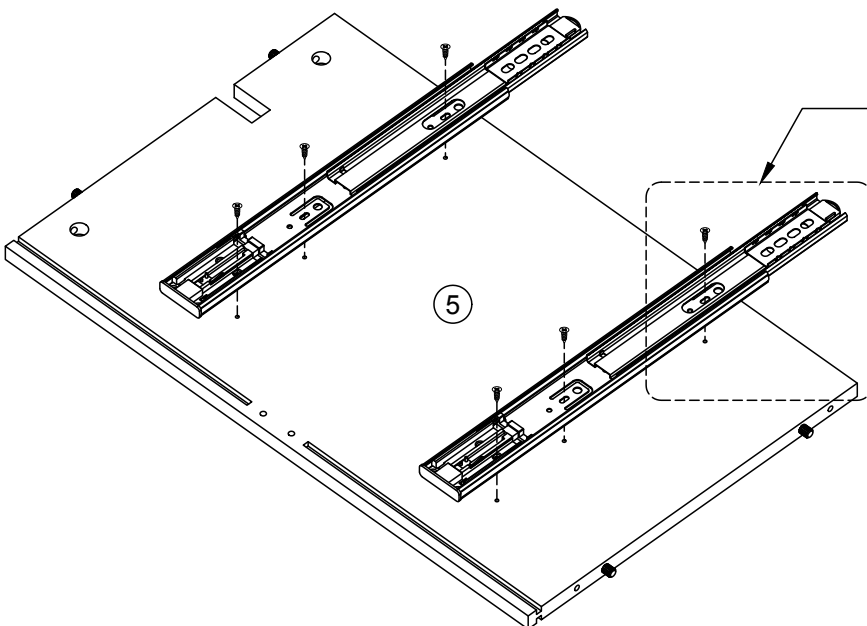
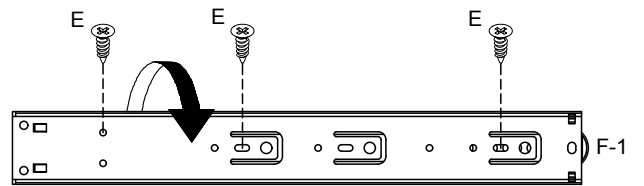
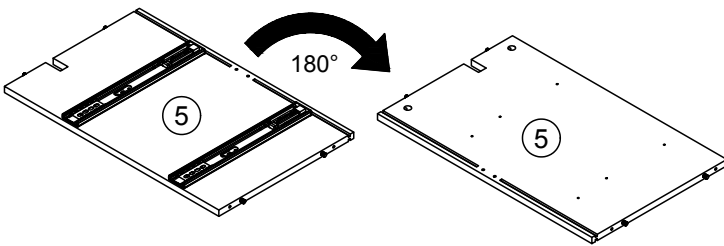
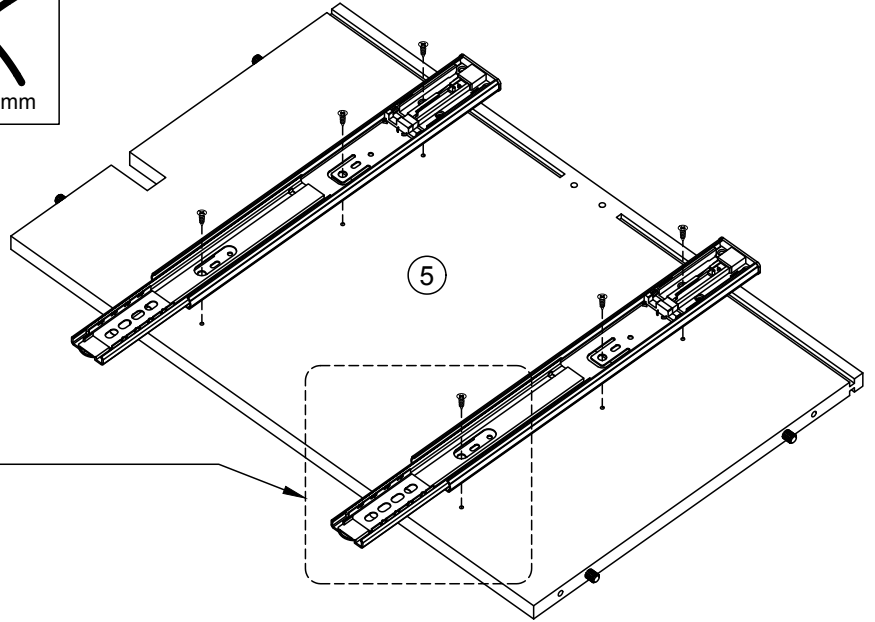
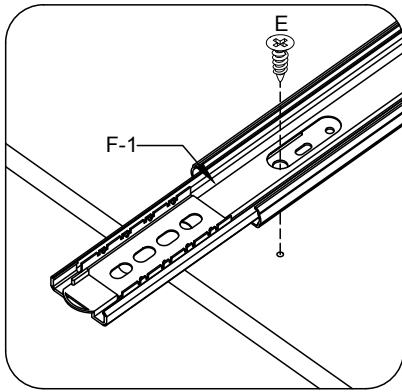
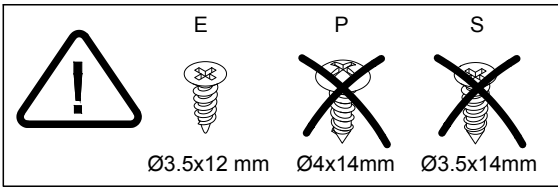
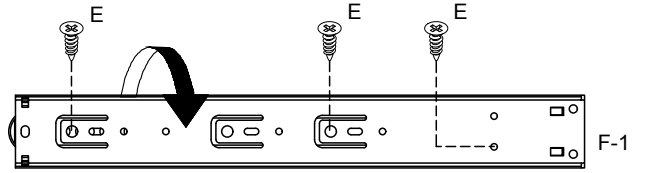
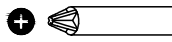


4

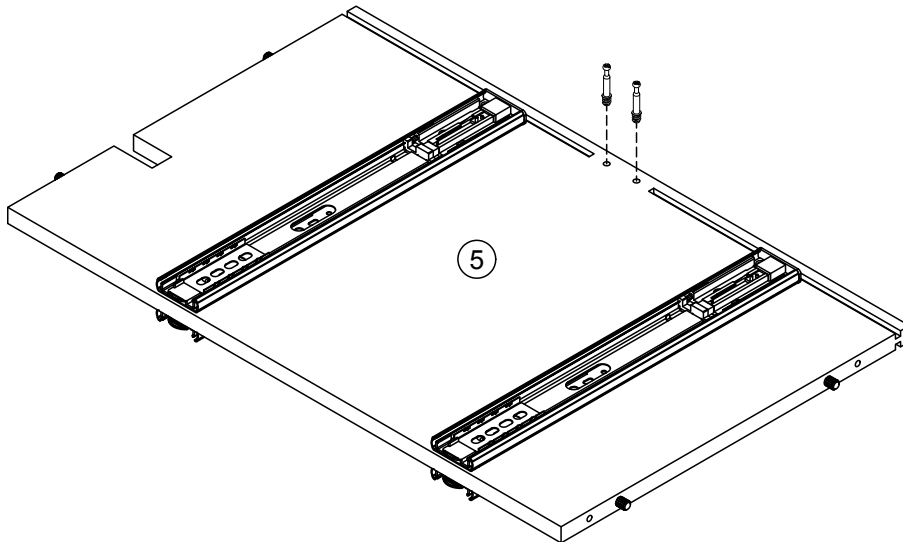
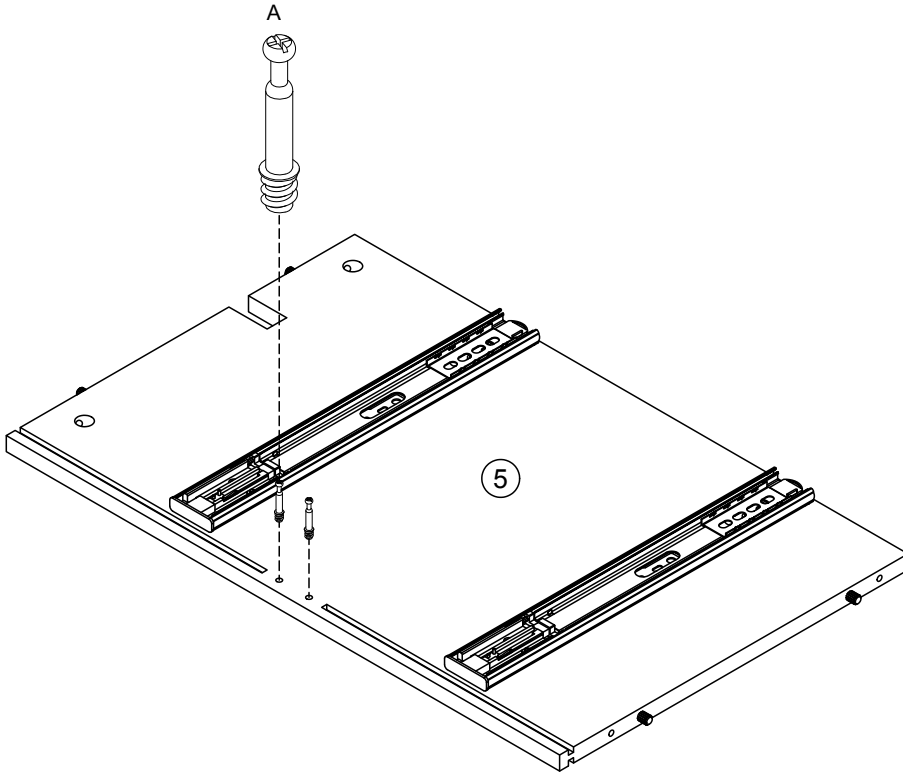
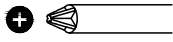
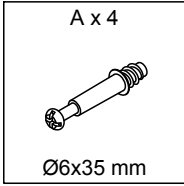


5

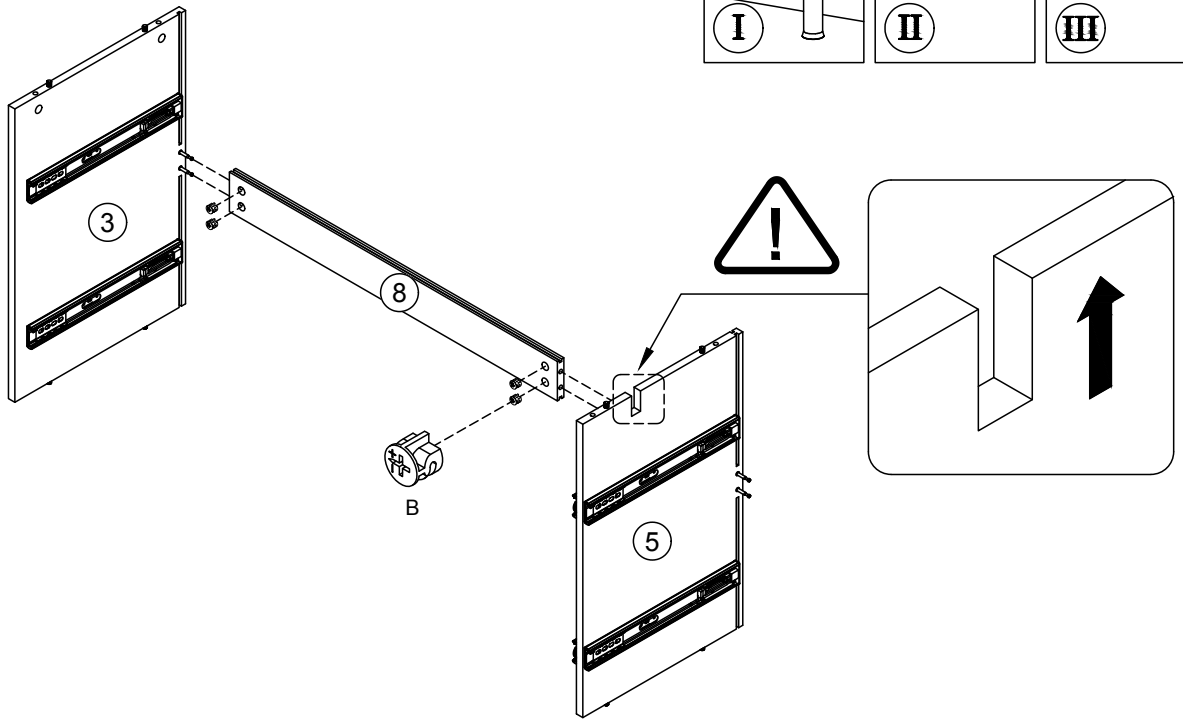
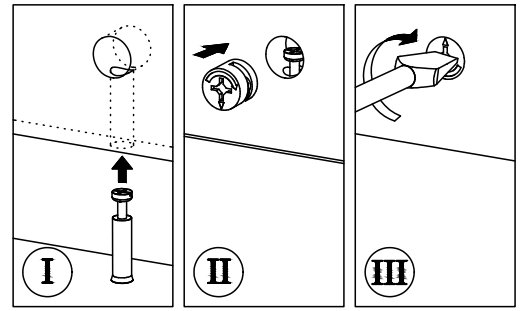
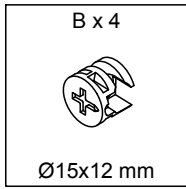
E x 12	F-1 x 4
	
Ø3.5x12 mm	350 mm



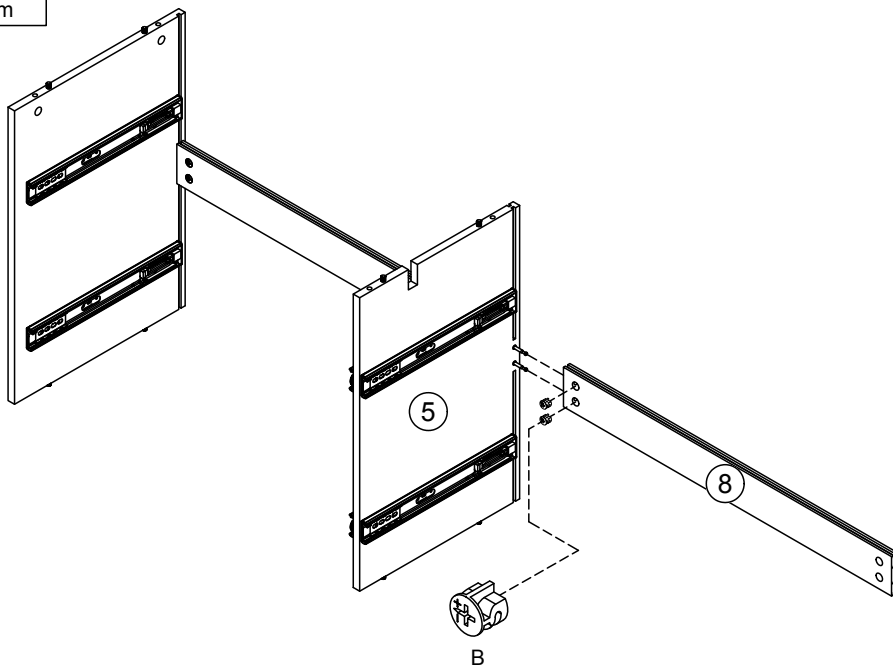
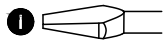
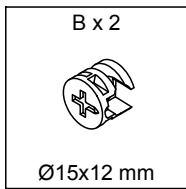
6



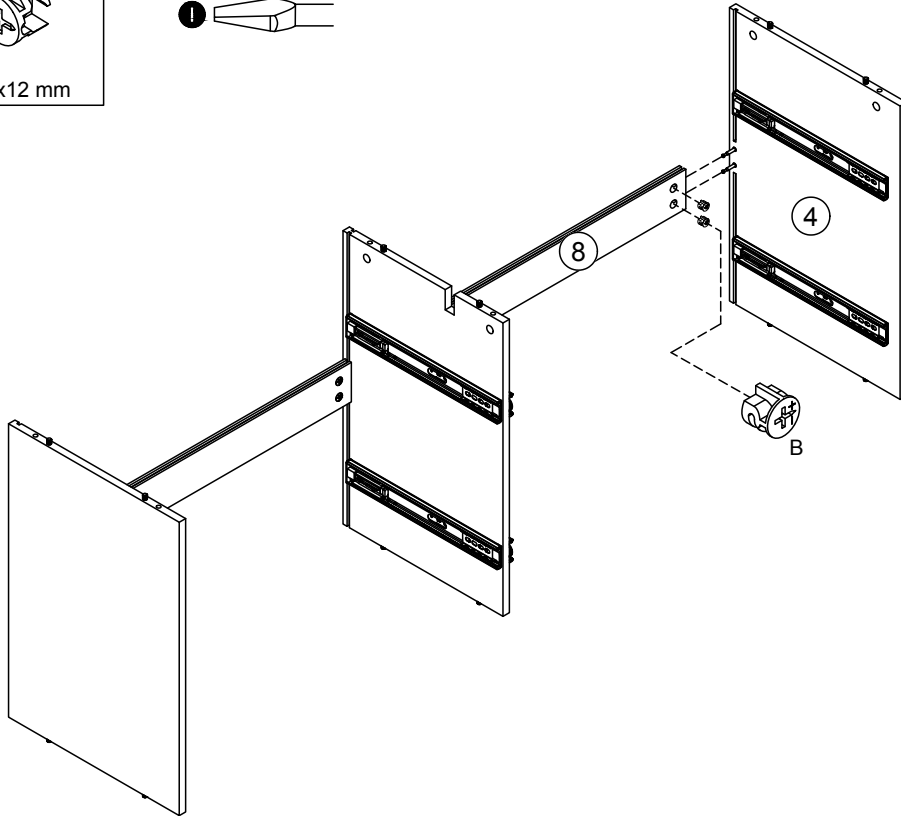
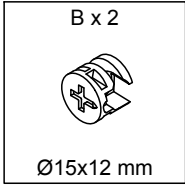
7



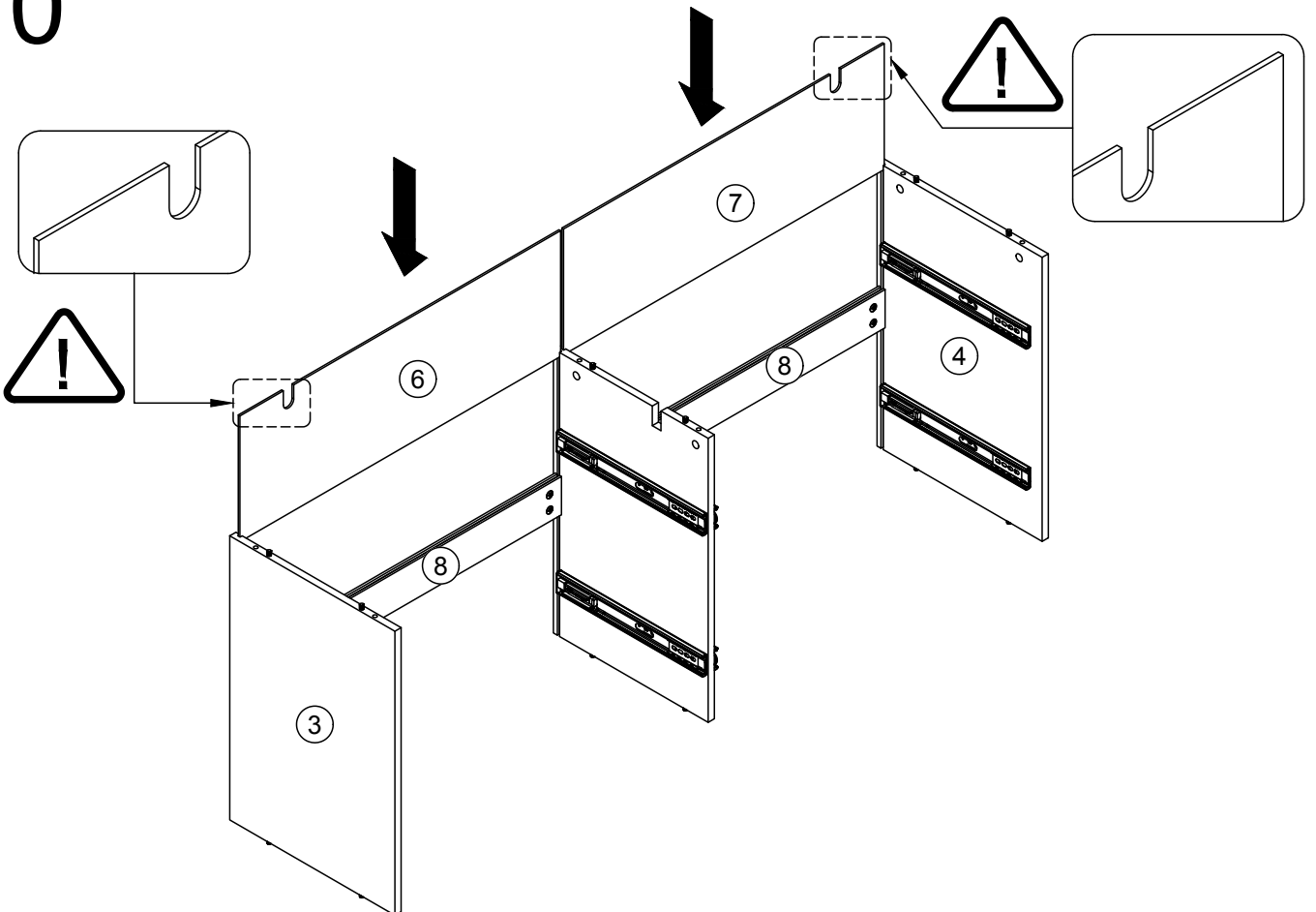
8



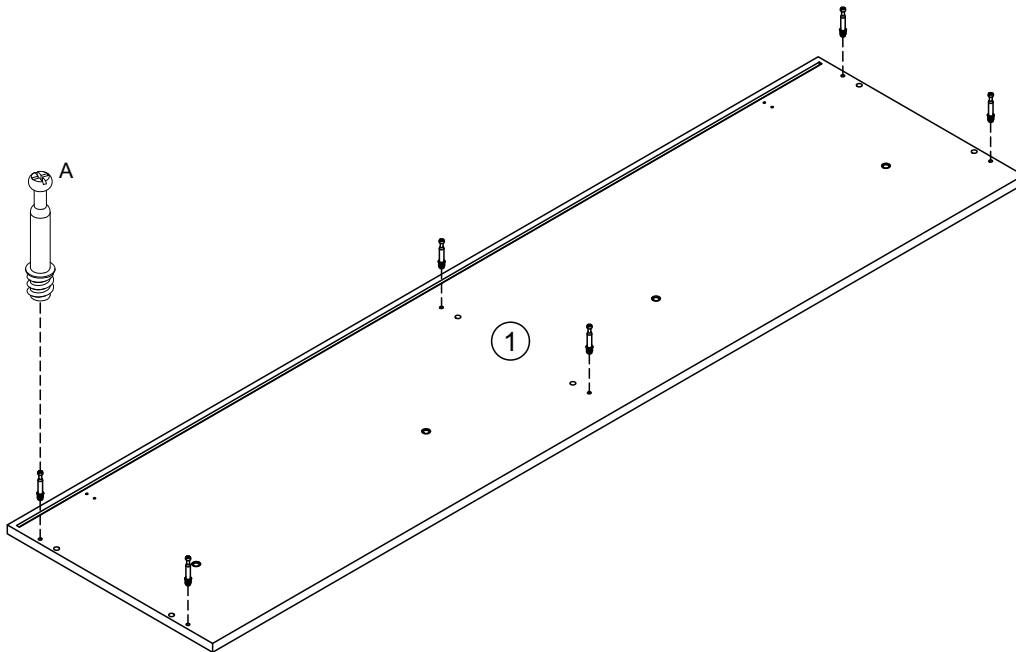
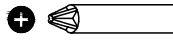
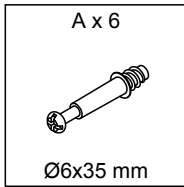
9



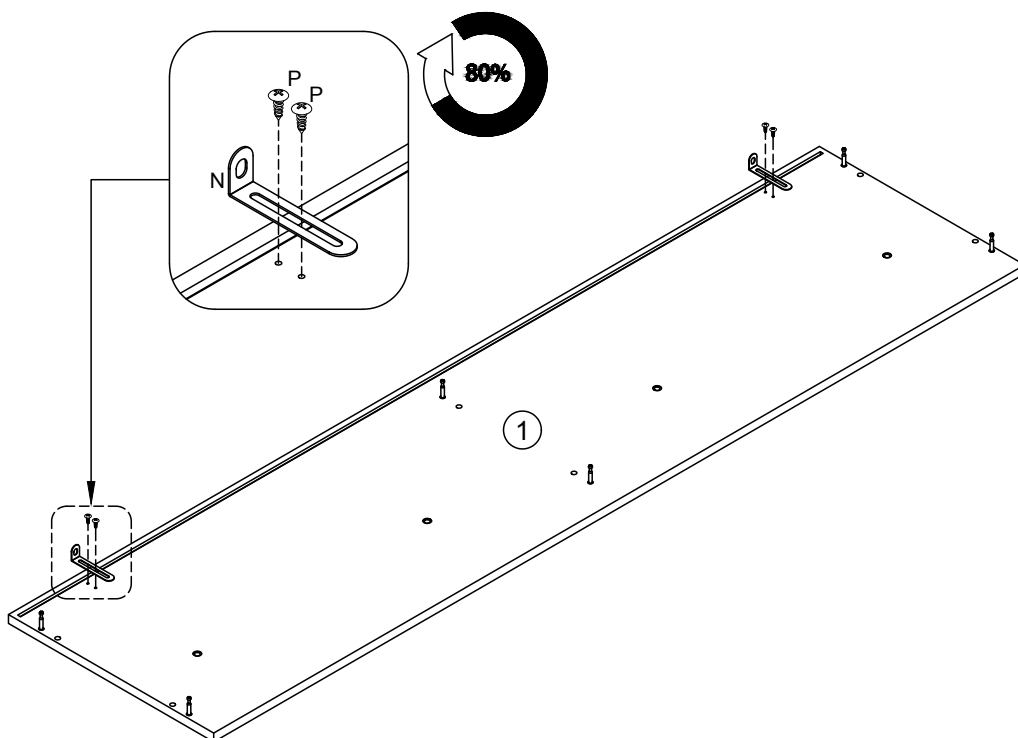
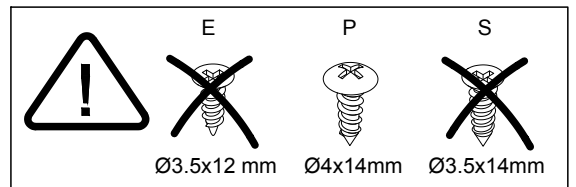
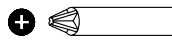
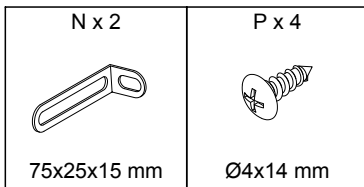
10



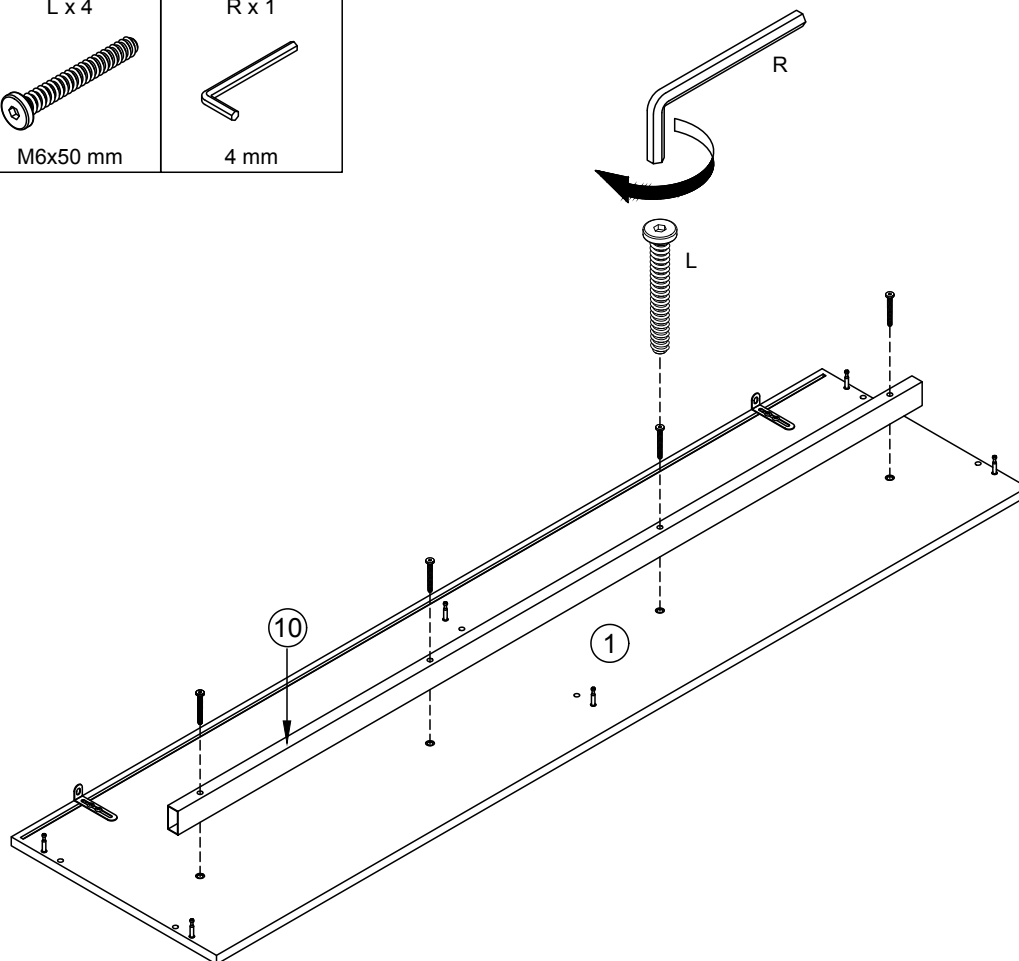
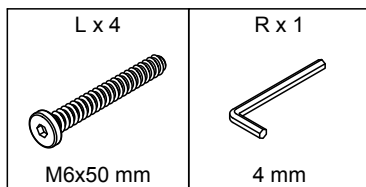
11



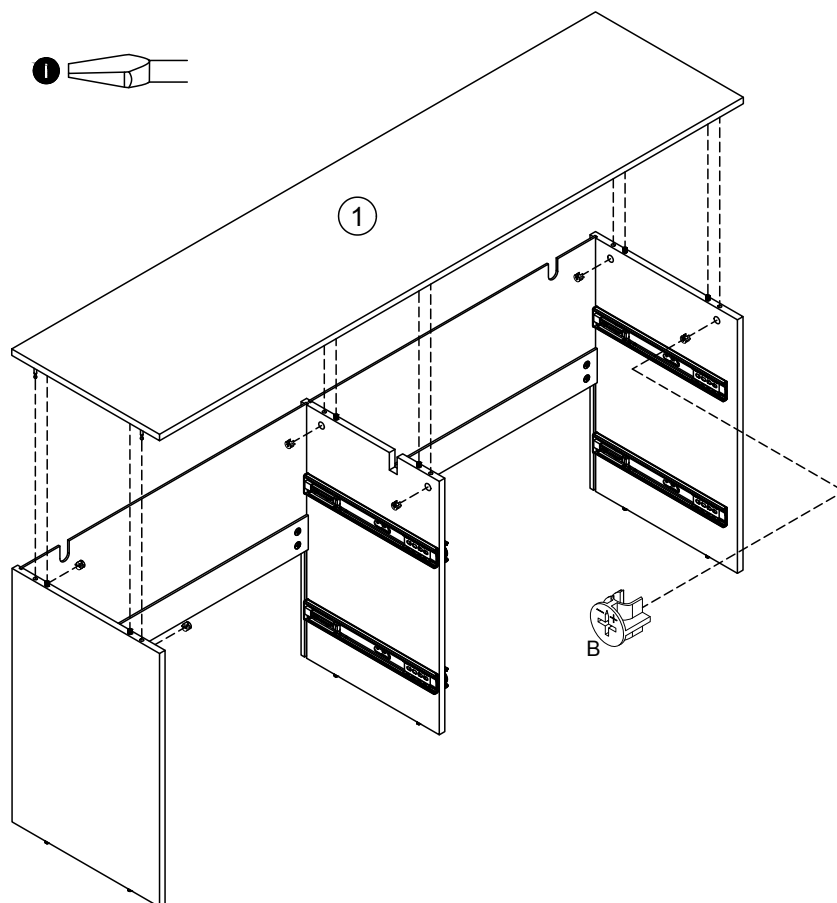
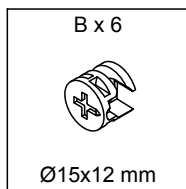
12



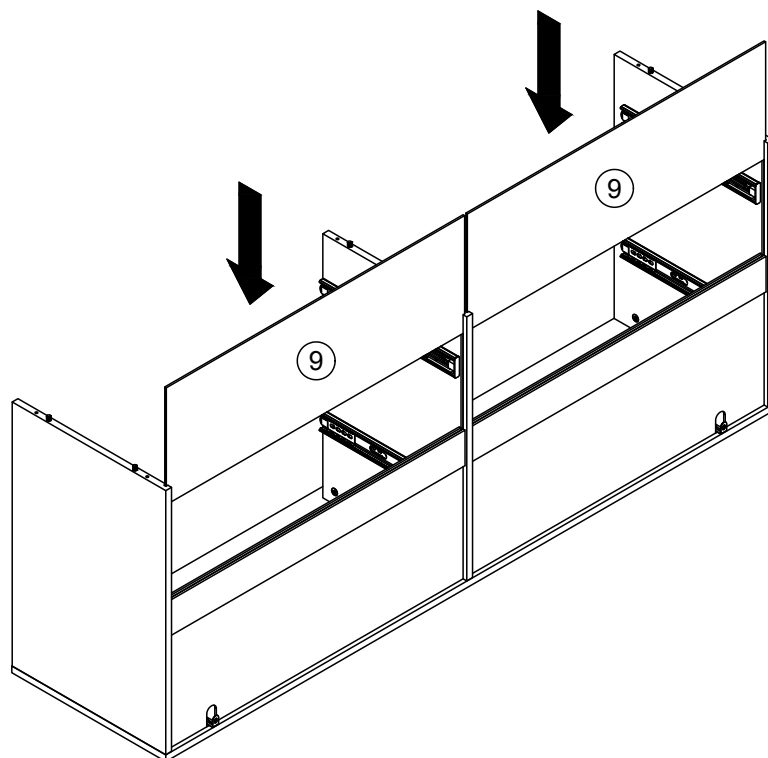
13



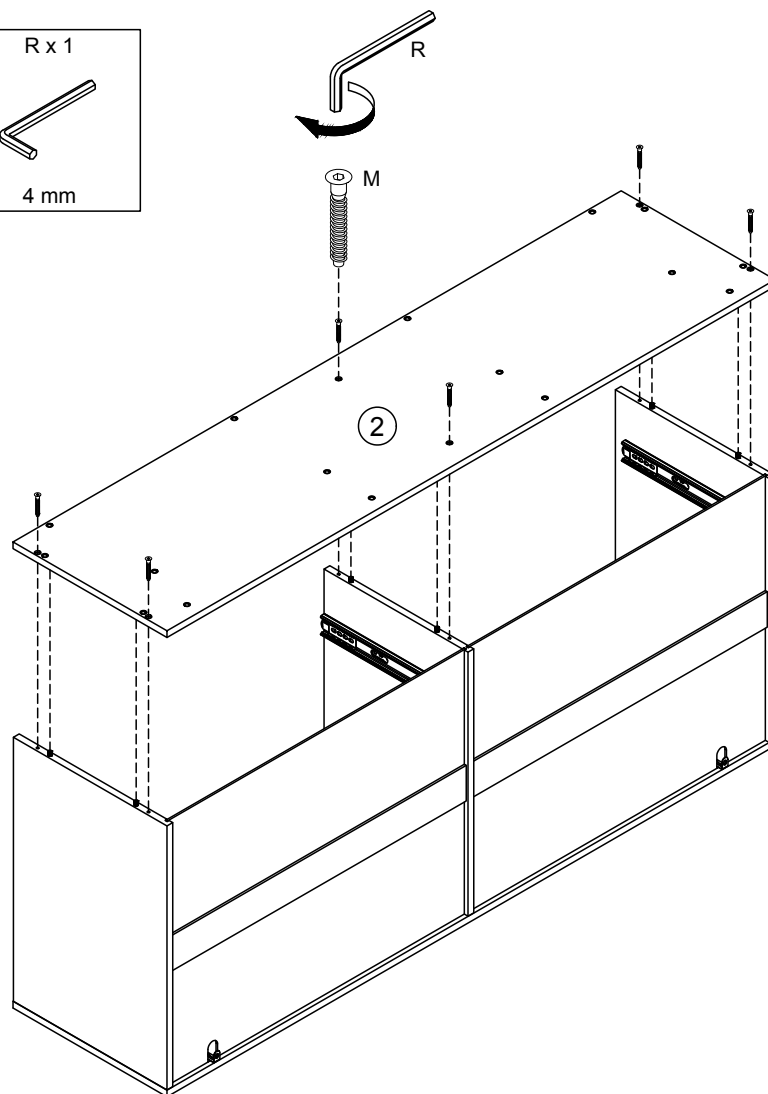
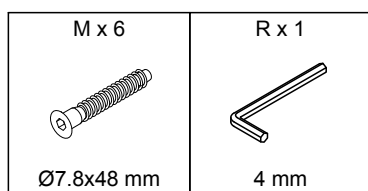
14




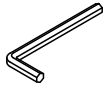
15

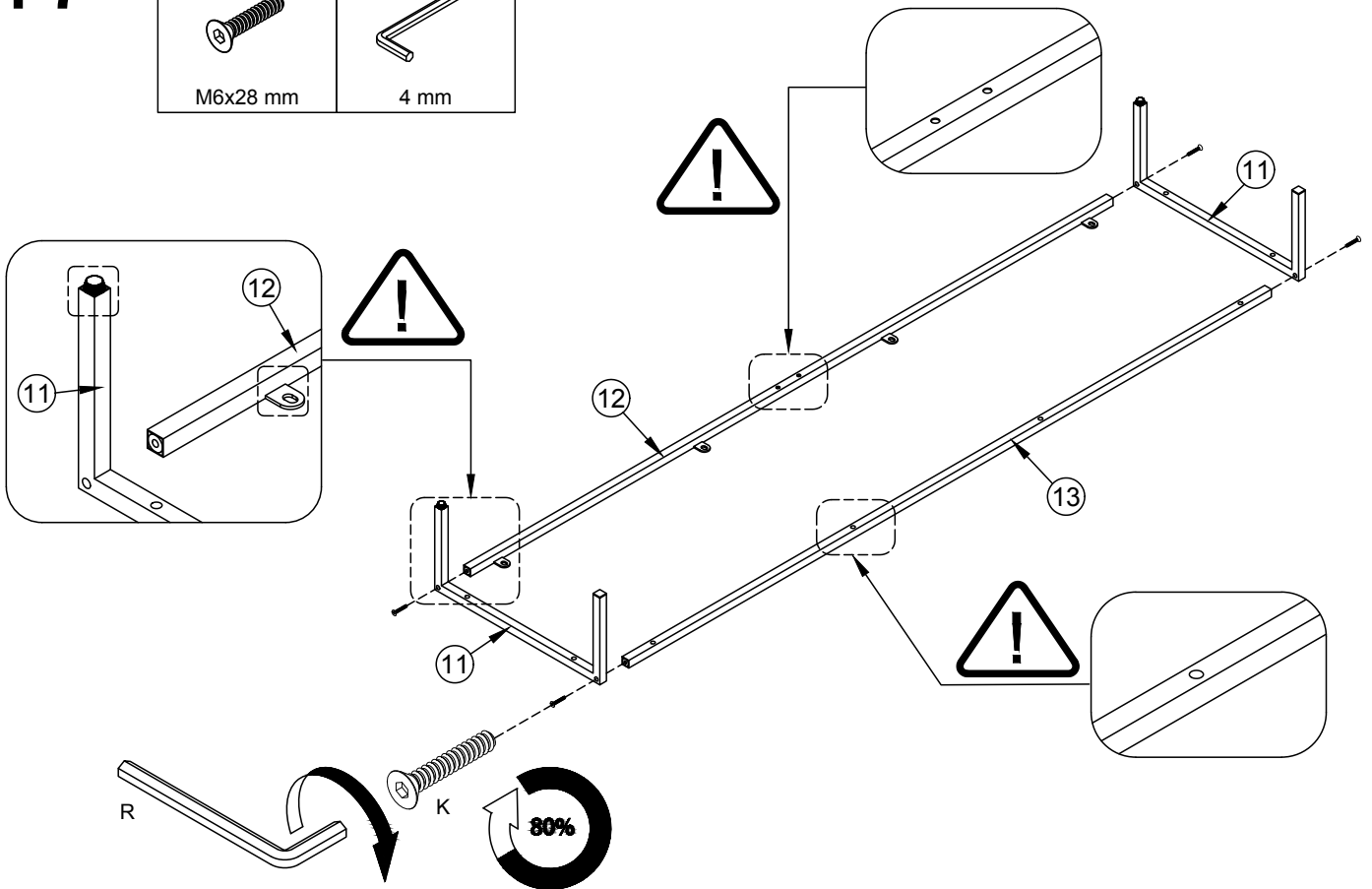


16






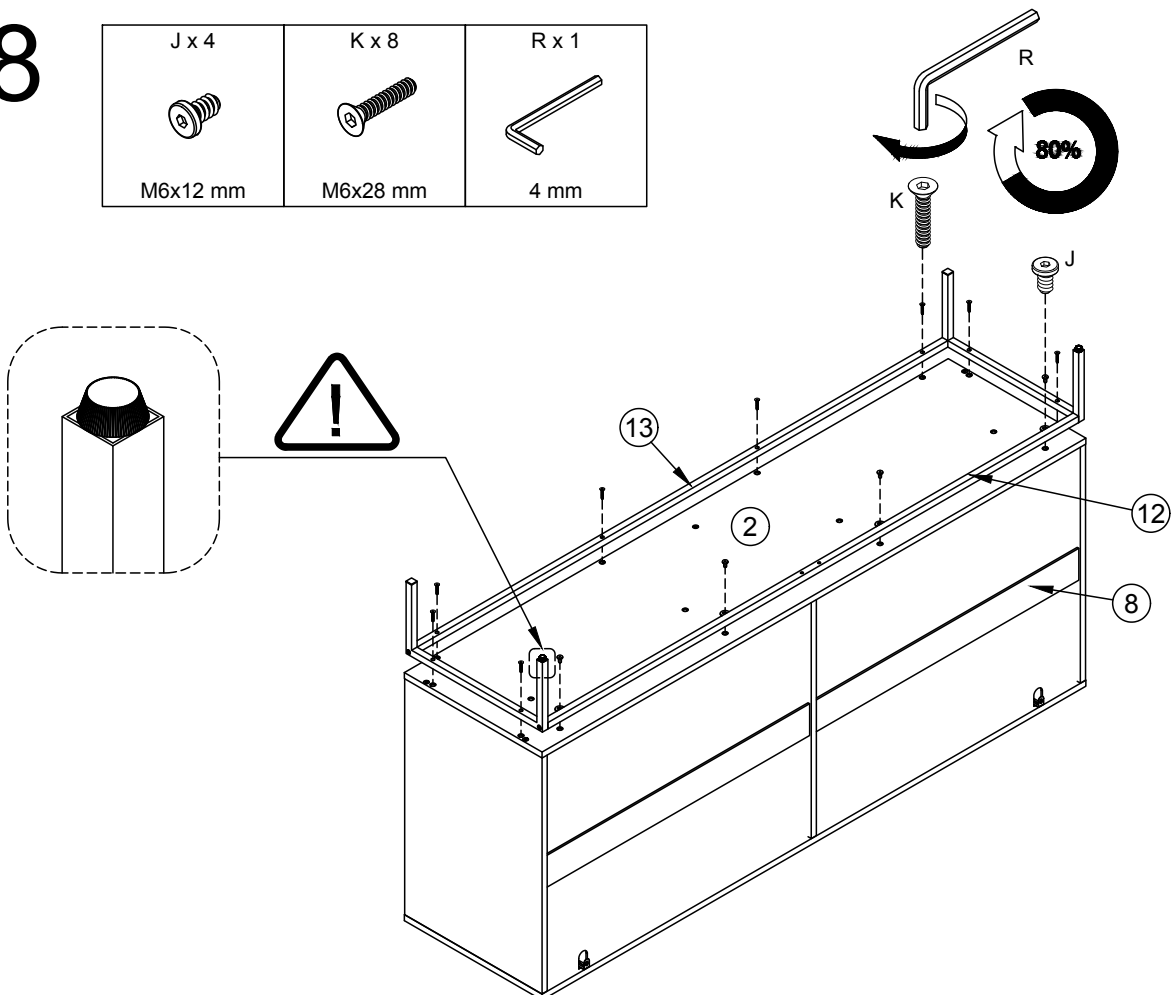
17

K x 4  M6x28 mm	R x 1  4 mm
--	--

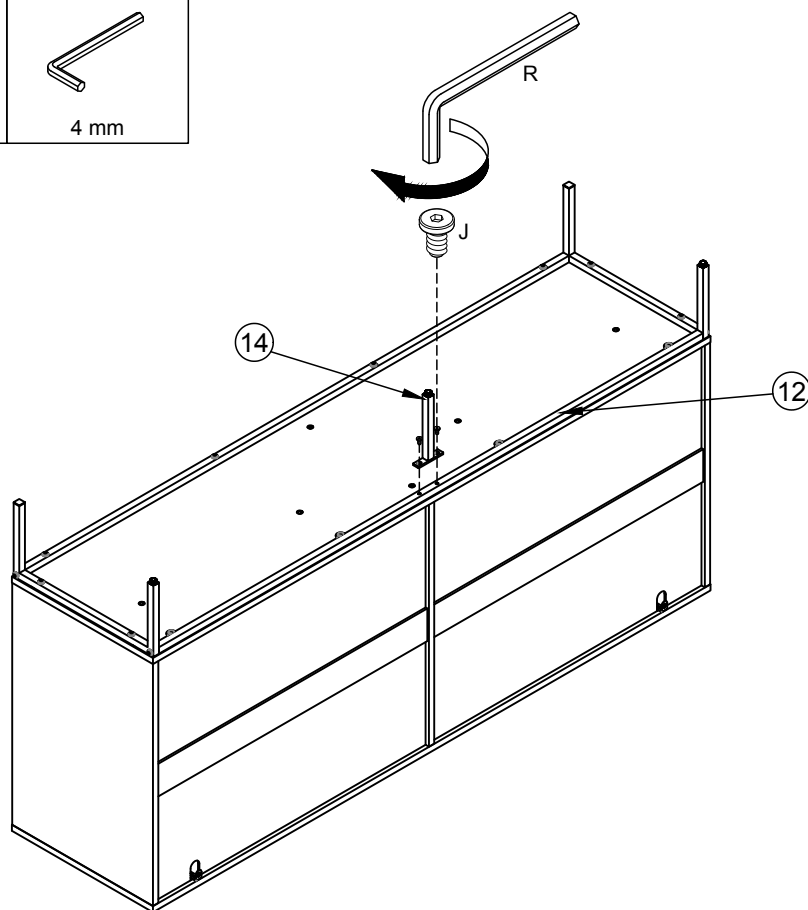
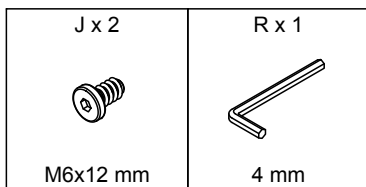


18

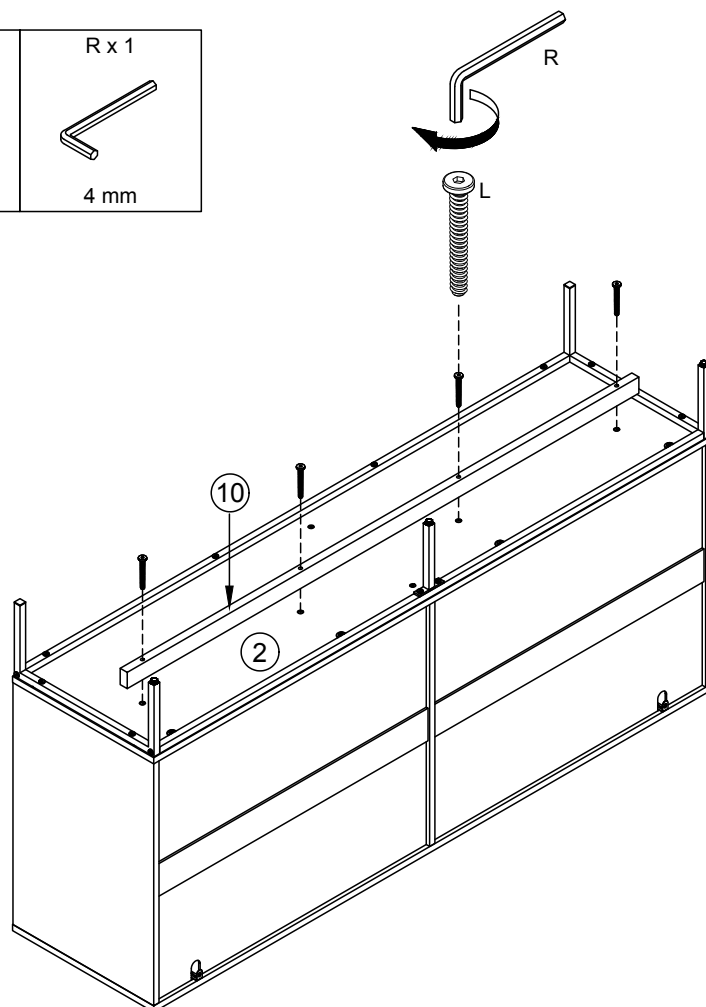
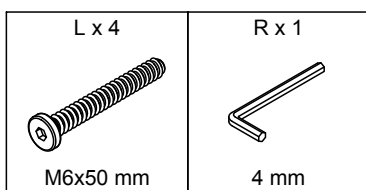
J x 4  M6x12 mm	K x 8  M6x28 mm	R x 1  4 mm
--	--	--



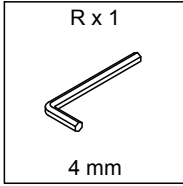
19



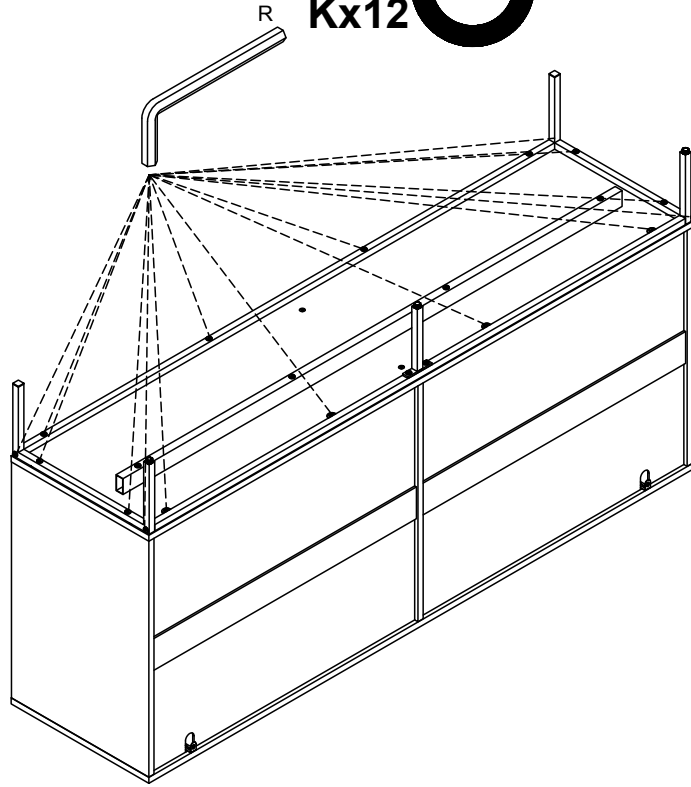
20



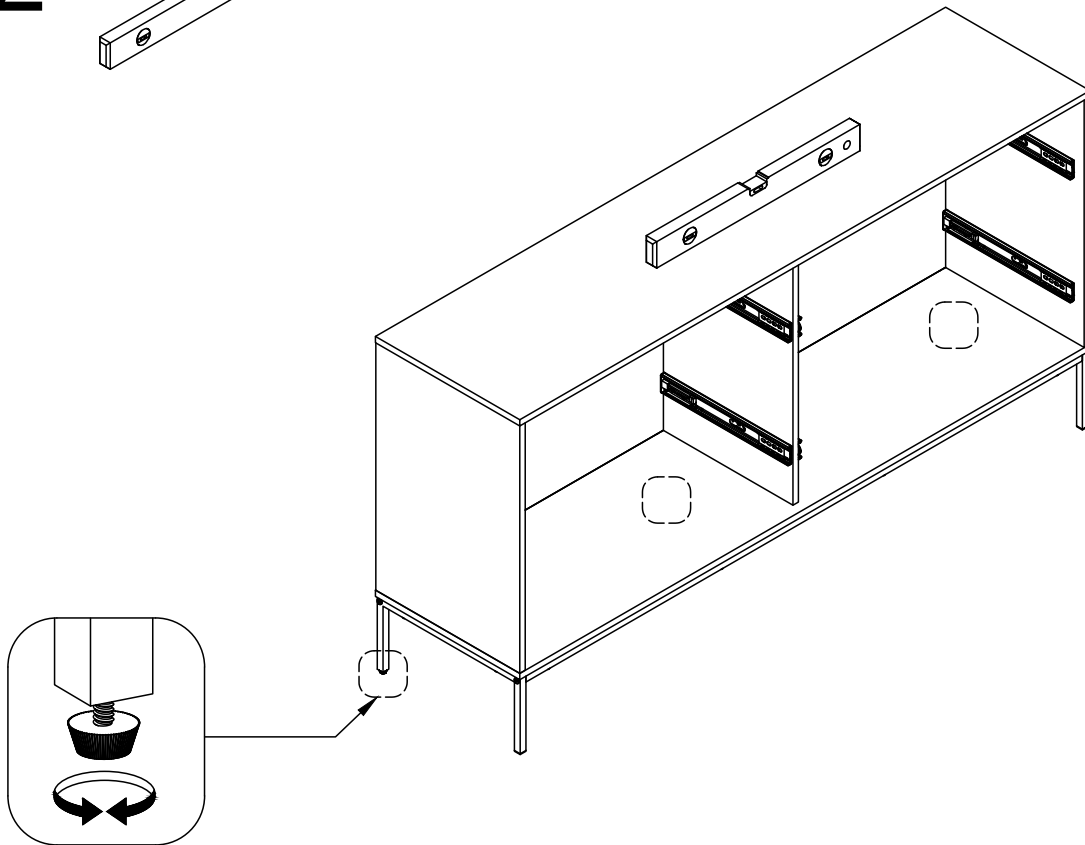
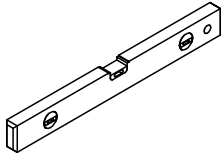
21



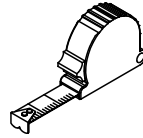
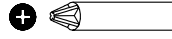
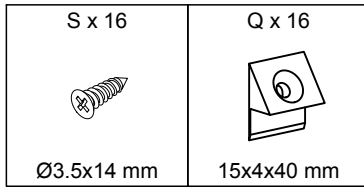
Jx4
Kx12



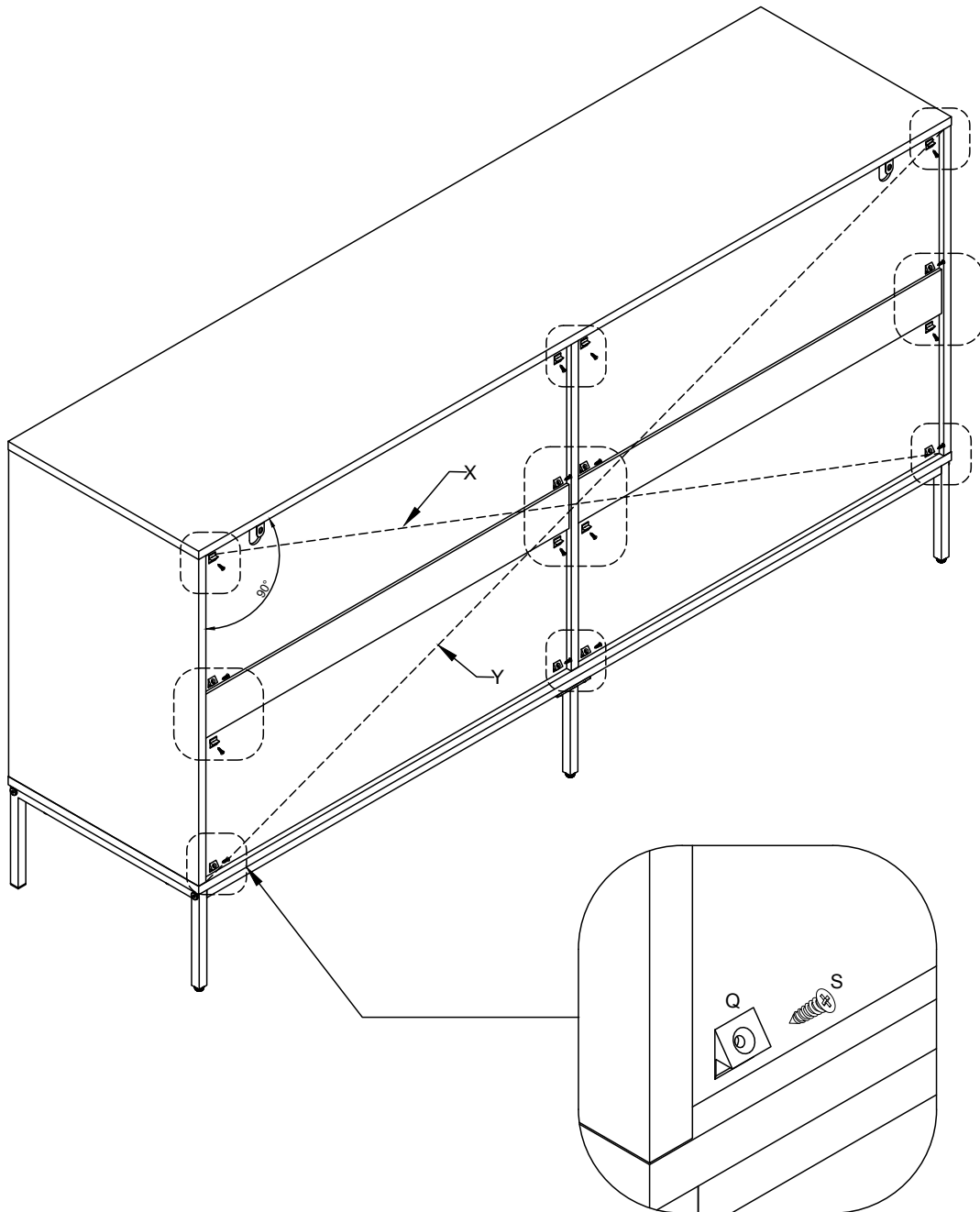
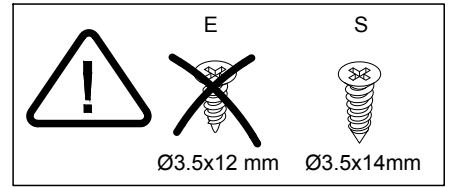
22



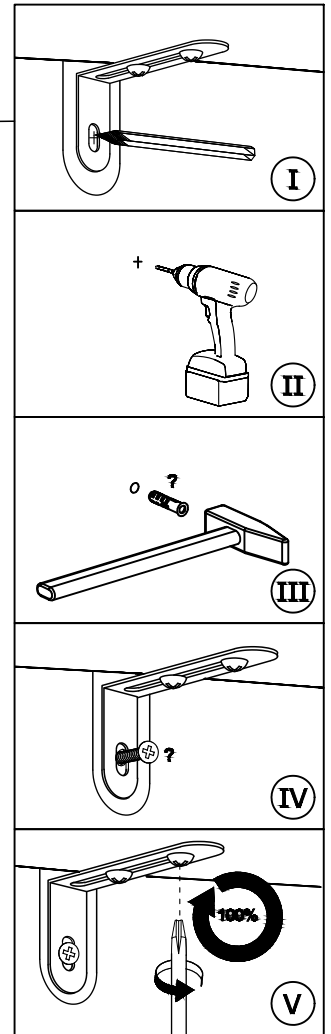
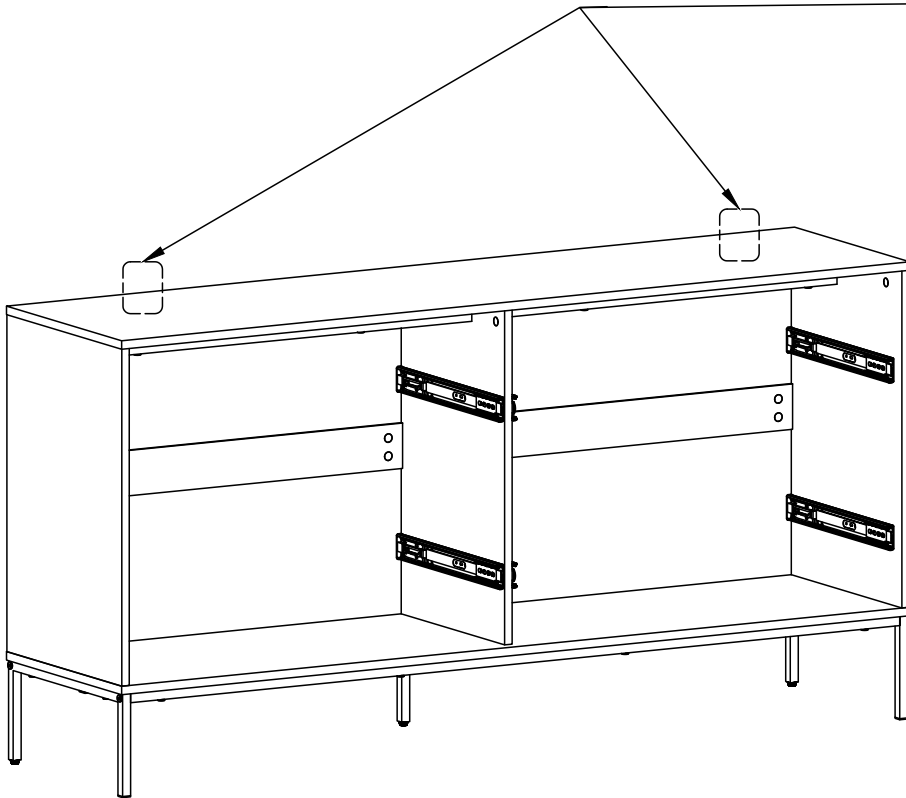
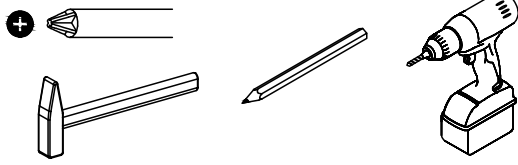
23



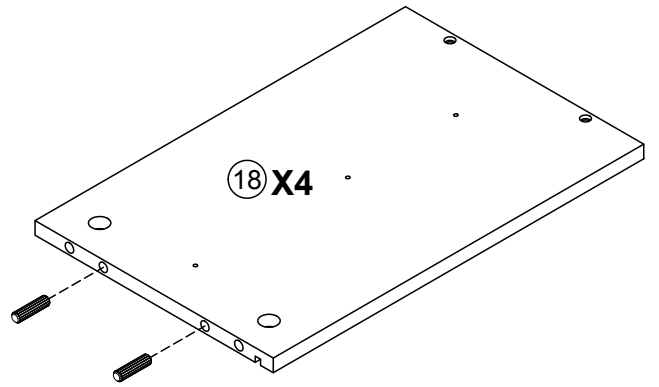
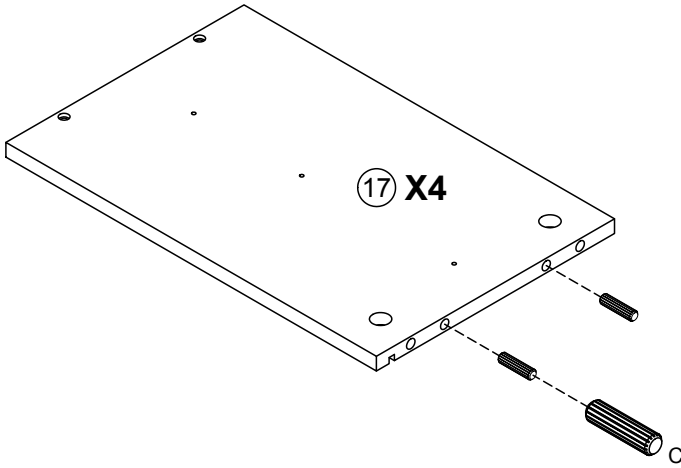
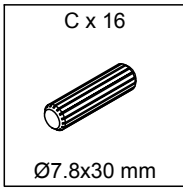
X=Y



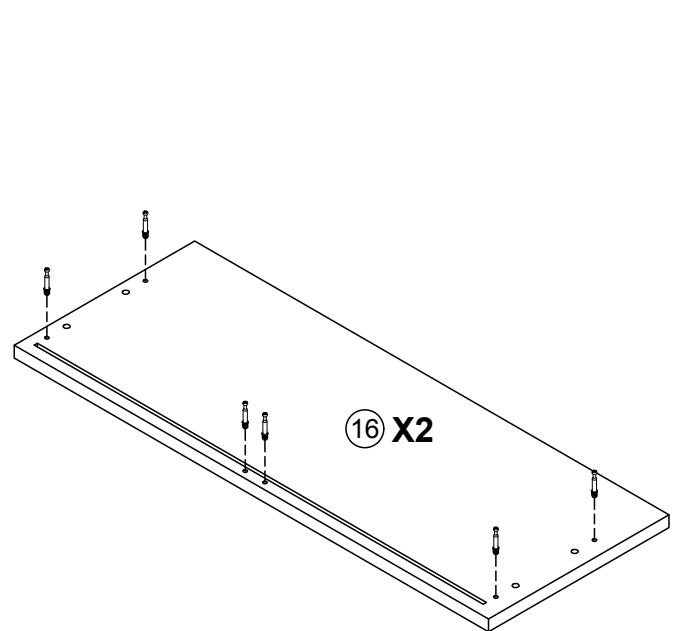
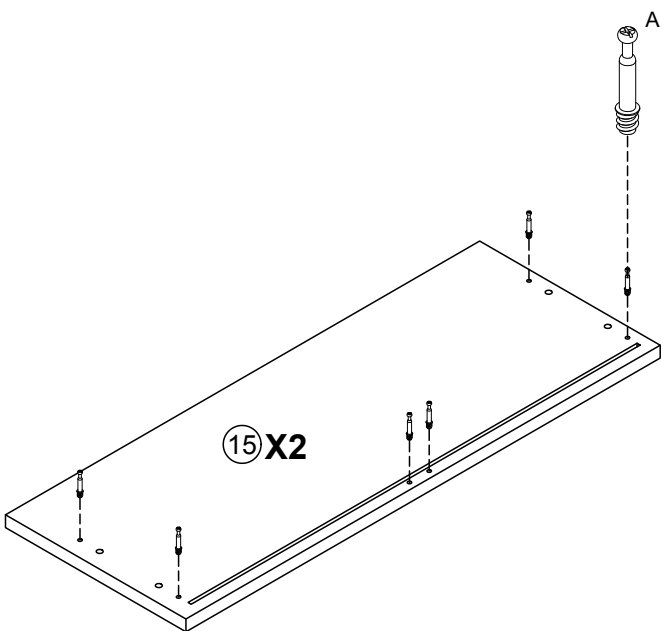
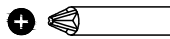
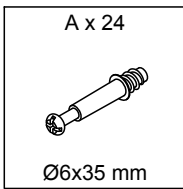
24



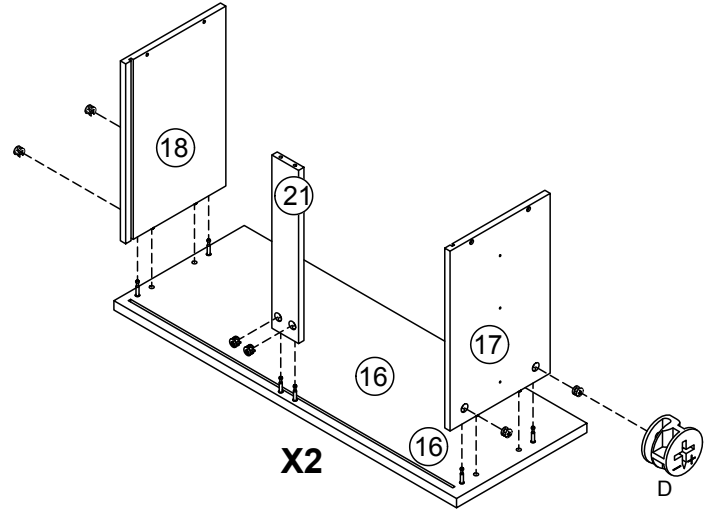
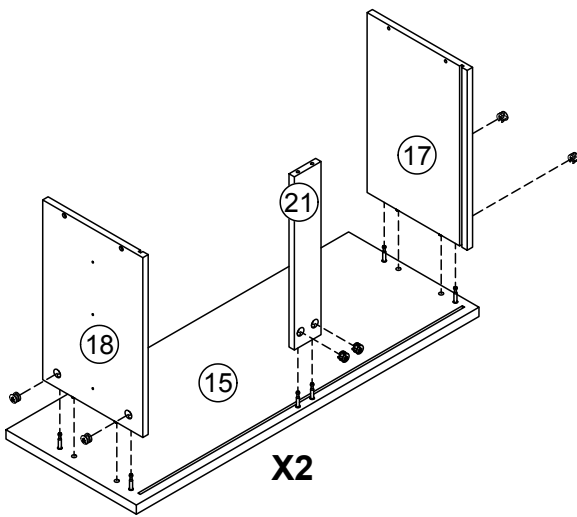
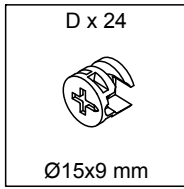
25



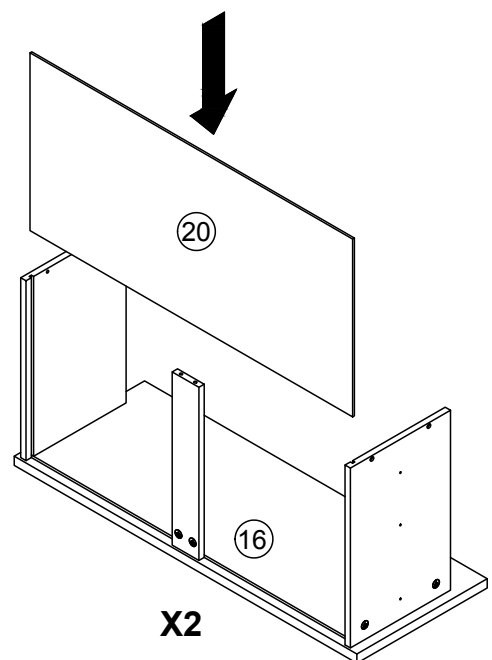
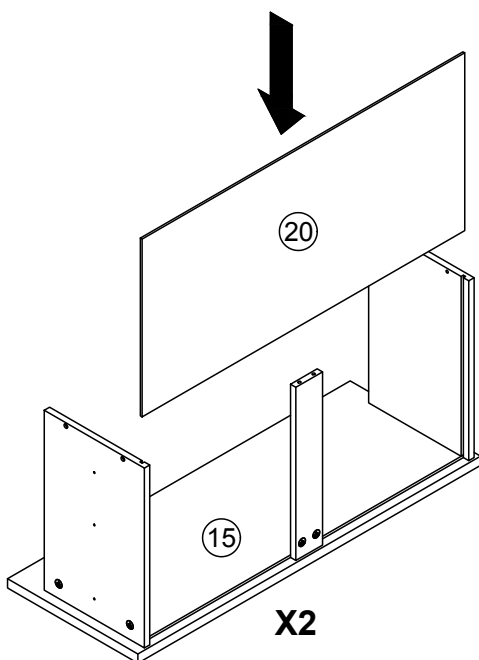
26



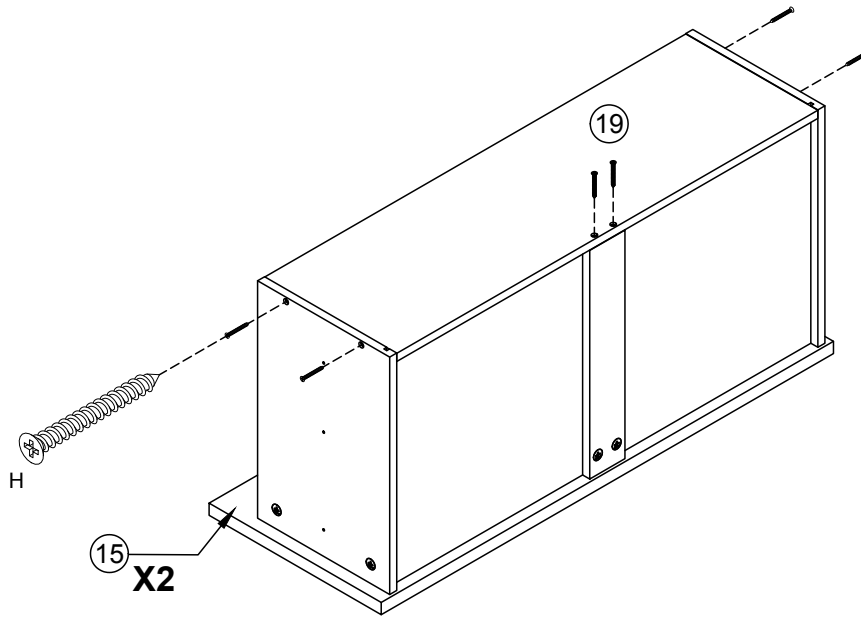
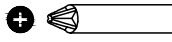
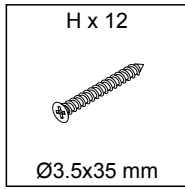
27



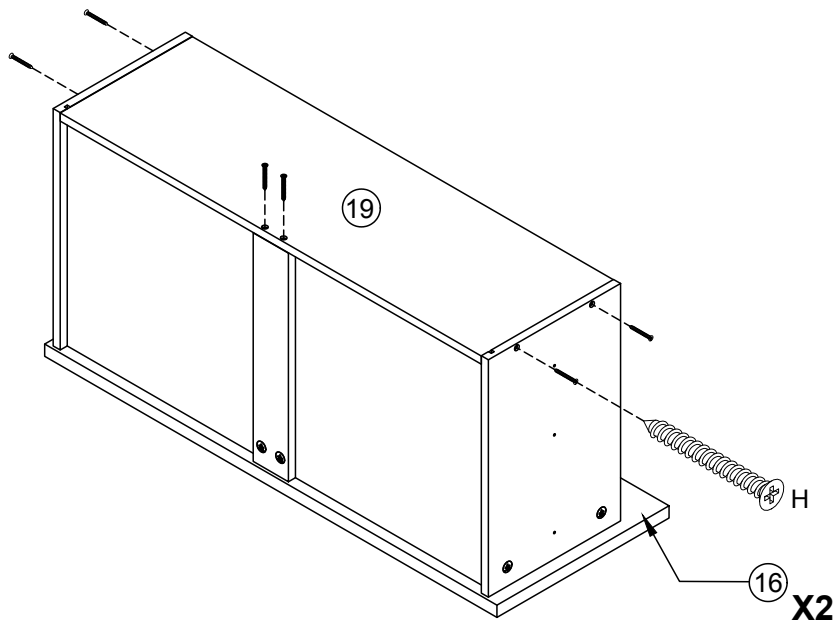
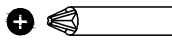
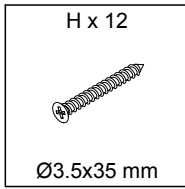
28





29

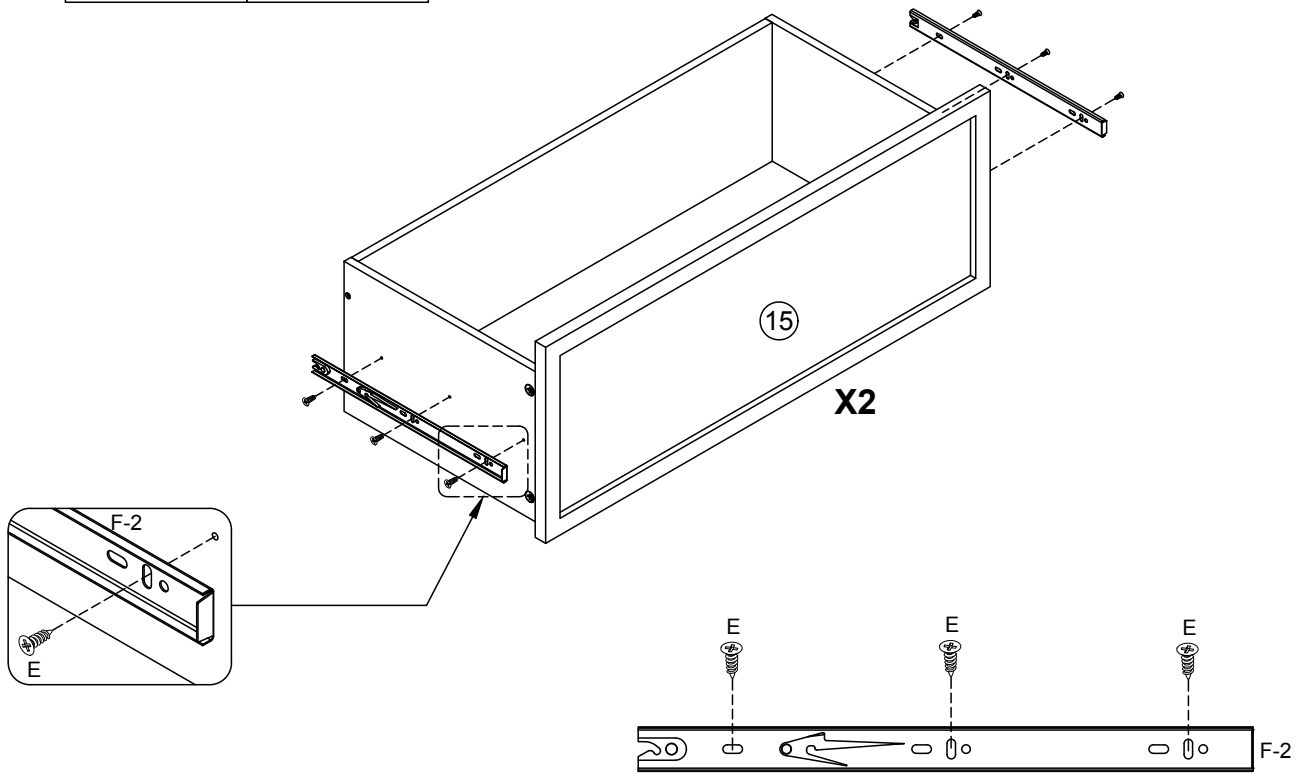
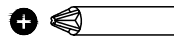


30





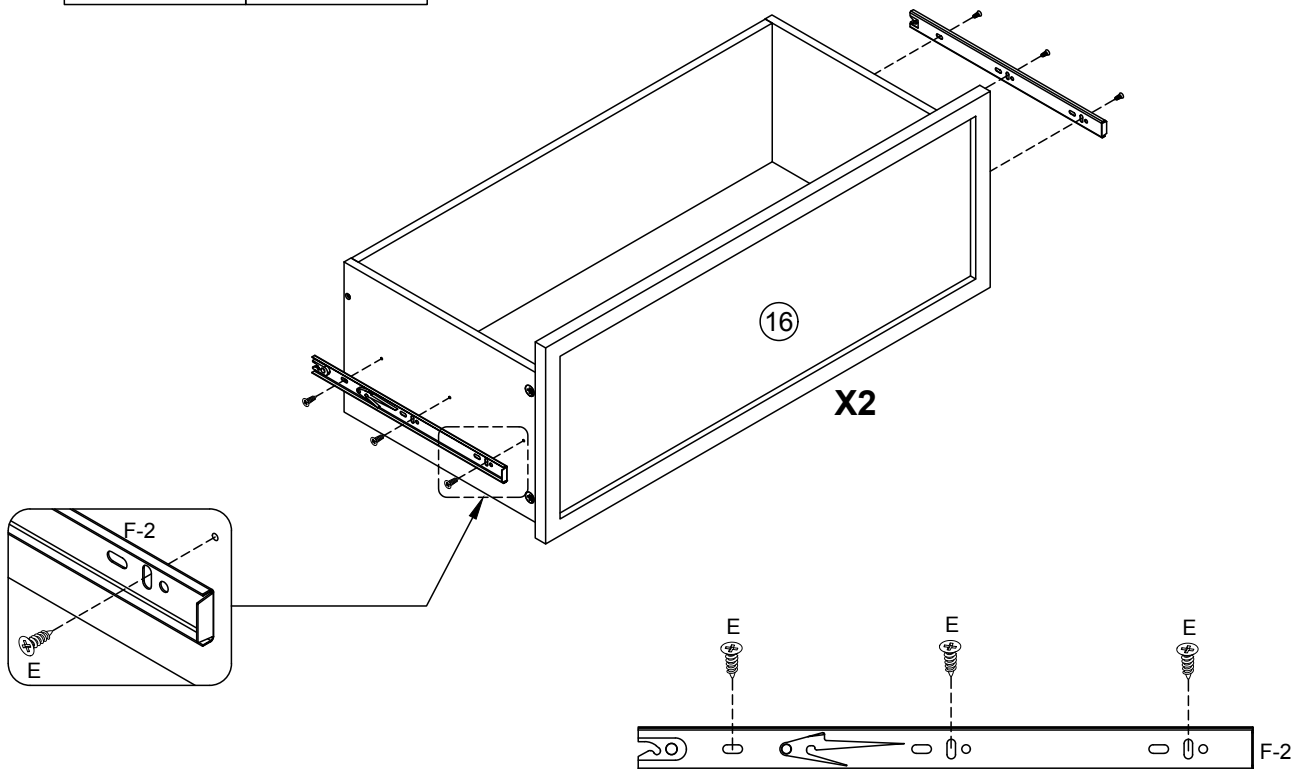
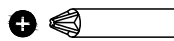
31

E x 12  Ø3.5x12 mm	F-2 x 4  350 mm
---	--

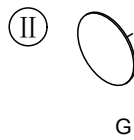
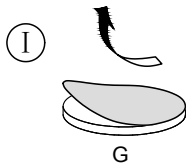
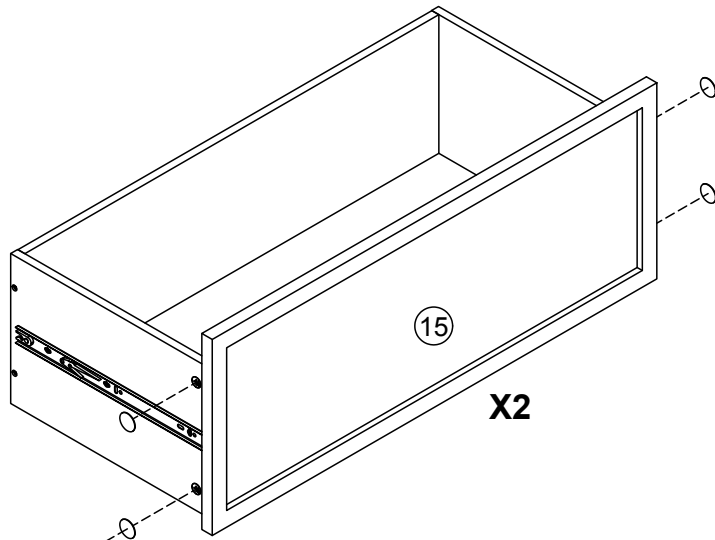
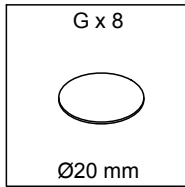


32

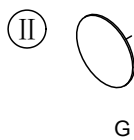
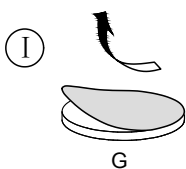
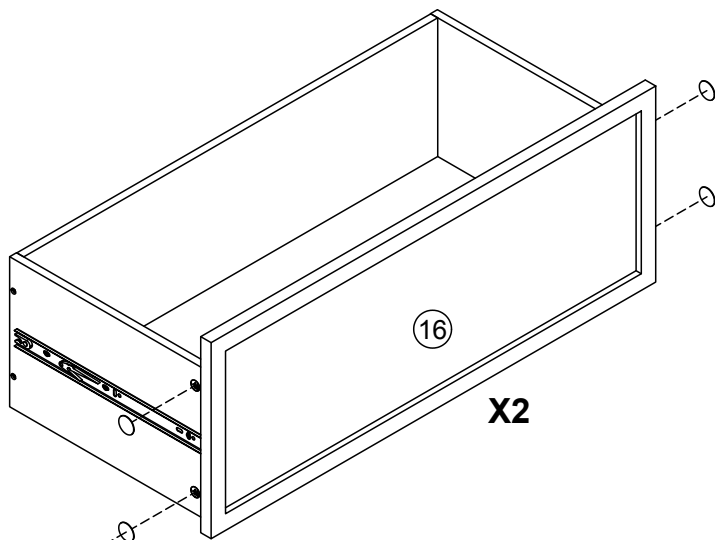
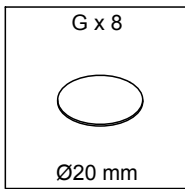
E x 12  Ø3.5x12 mm	F-2 x 4  350 mm
---	--



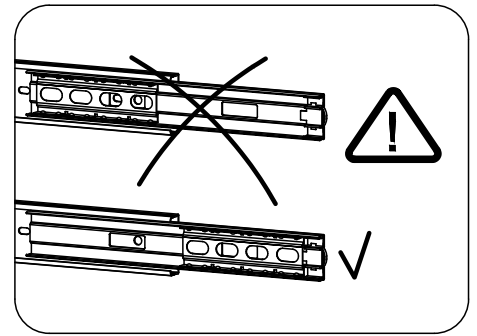
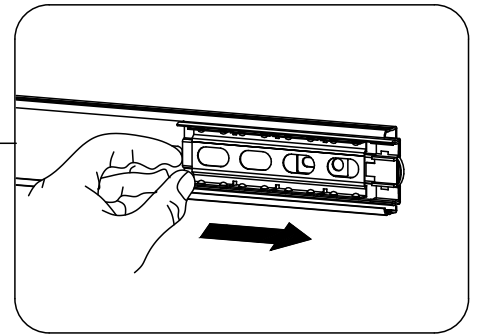
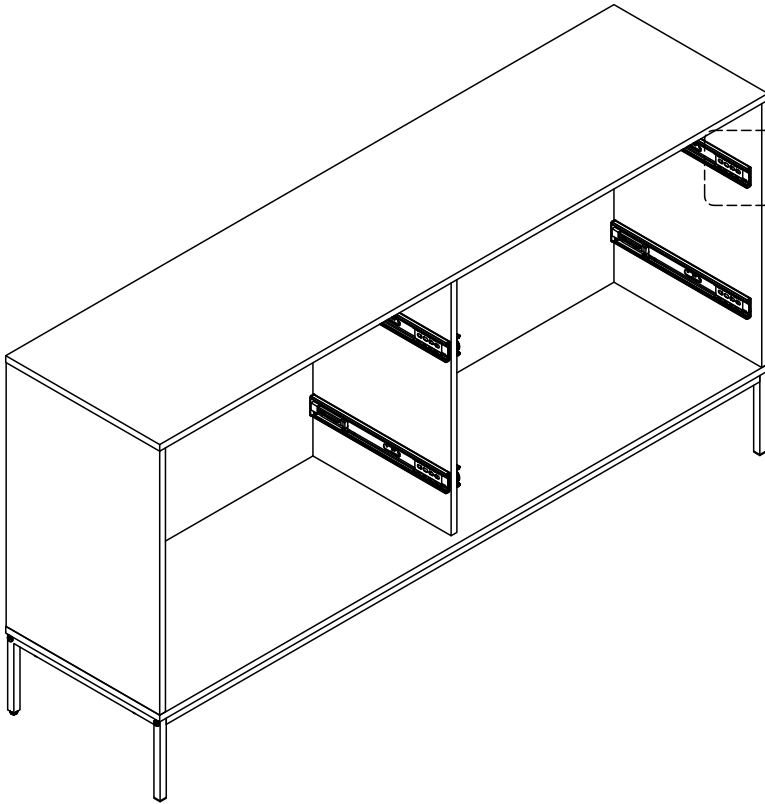
33



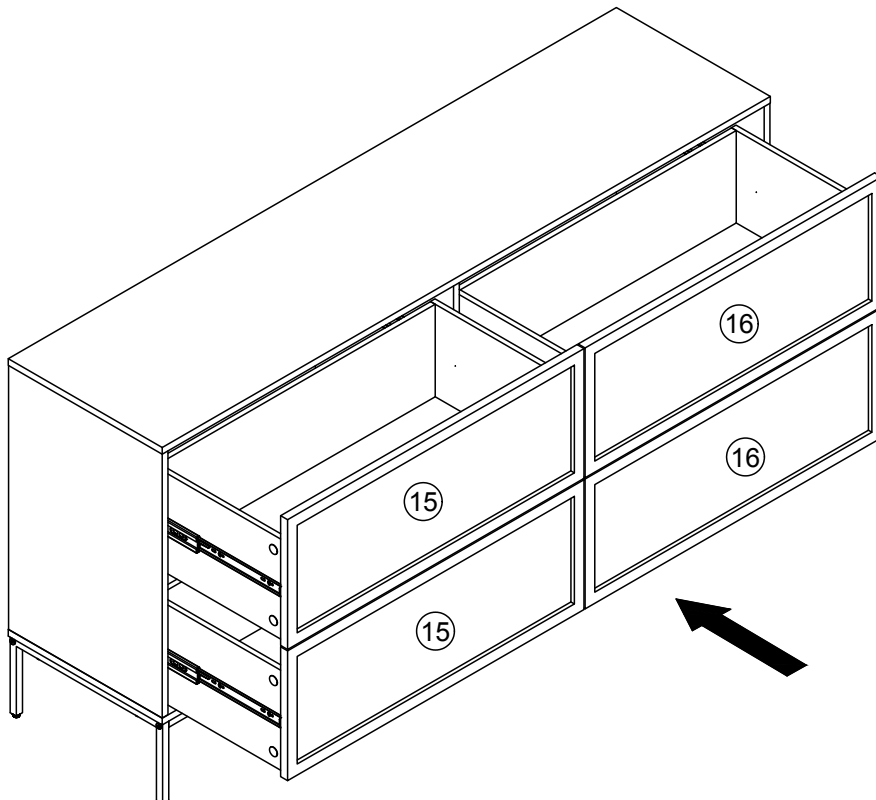
34

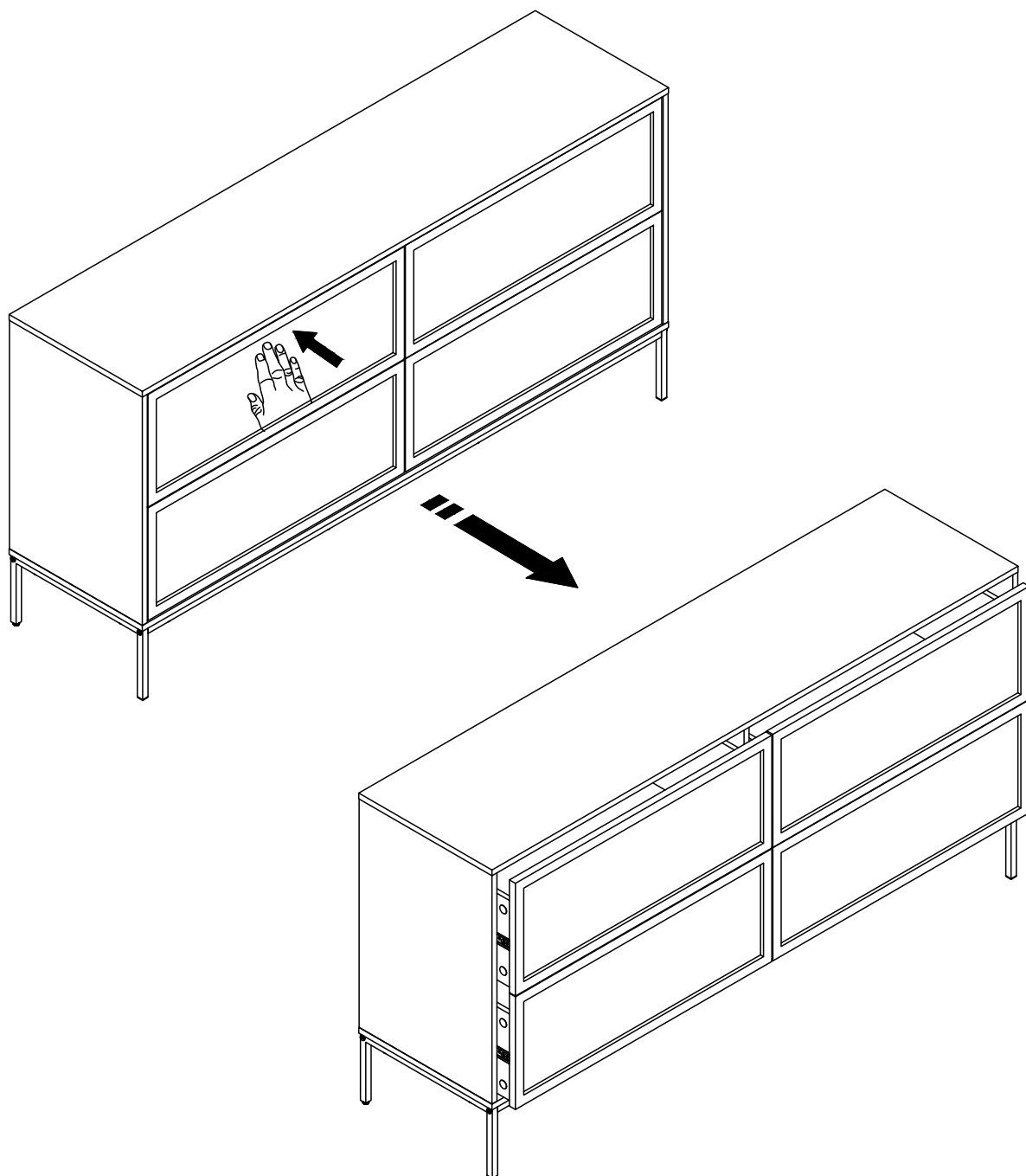


35



36





38

